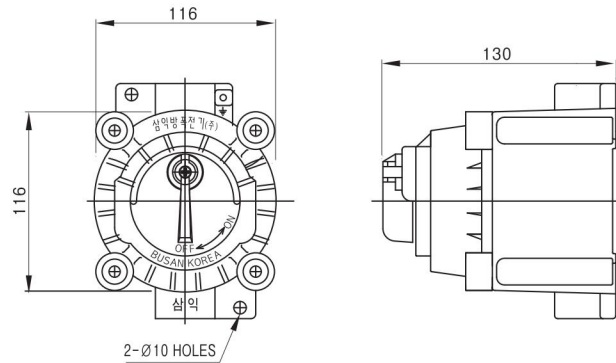


Circular Tumbler Switch

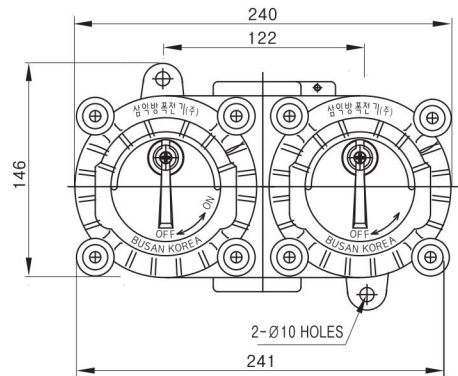
# CETS SERIES

Type of Explosion-Proof  
Flameproof (Ex d IIB+H2 T6 IP55)  
Dust ignition proof (Ex tD A22 T85°C IP55)

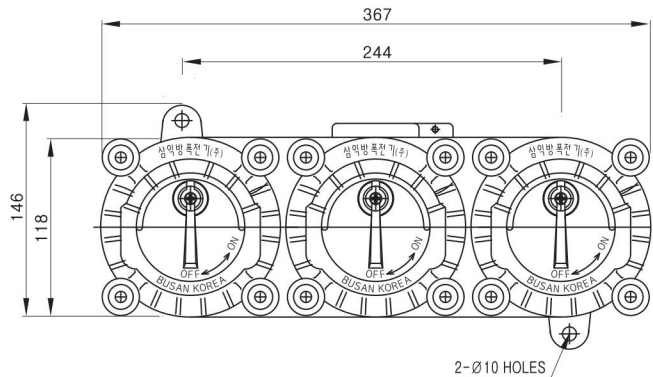
## CETS-1GANG



## CETS-2GANG



## CETS-3GANG





### Standard Materials

- **Body** : Die casting aluminium alloy
- **Cover** : Die casting aluminium alloy
- **Bolt & Washer** : Stainless steel



### Compliance & Certification

- IEC 60079-0,1
- Notification of Ministry of Labor No.2010-36
- IP 55
- Certified by KOSHA  
(Korea Occupational Safety & Health Agency)



### Standard Finish

- MUNSELL No. 7.5BG 6/1.5
- If you want another color, contact us please.

### Technical Data

Catalog No.	CETS-1	CETS-2	CETS-3
Rated Voltage (V)	250	250	250
Rated Ampere (A)	20	20	20
Weight (kg)	1.7	4.1	6.2