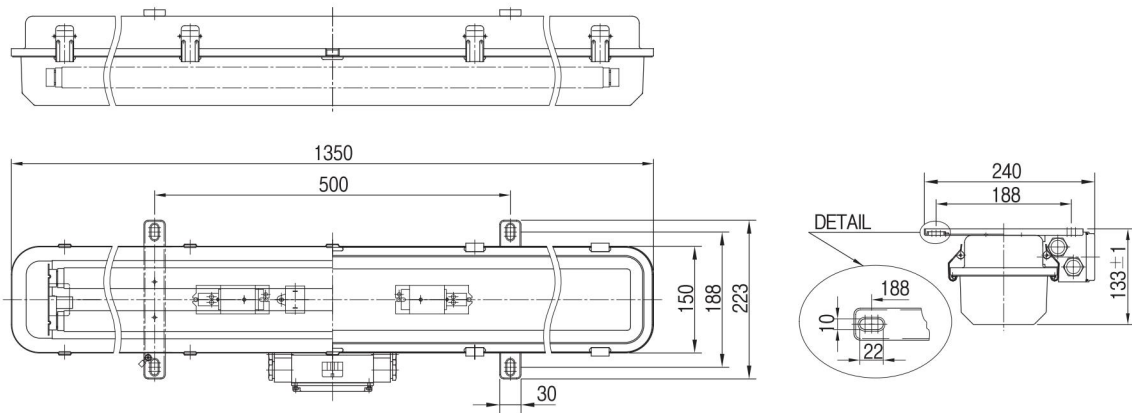


Fluorescent Lighting Fixtures

EFXM SERIES

Type of Explosion-proof : **Increased Safety (Ex edm IIC T5 IP66)**



Application

EFXM Series Fluorescent Lighting fixtures are used

- In heavy process industries having environments where flammable or explosive vapors or gases are present.
- In hazardous areas, both indoors and outdoors where long life and low maintenance costs are desired.
- In petroleum refineries, chemical, petrochemical and other heavy process industry facilities.
- Where ignitable concentrations of flammable gases, vapors or liquids can exist all of the time or some of the time under normal operation conditions.

Features

- Safety interlock between enclosure and diffuser switches off on opening
- Two pin lamp luminaires.

Standard Materials

- Enclosure : Sheet steel
- Inner Reflector : High purity aluminium
- Cover : Polycarbonate

Standard Finish

- MUNSSELL No. White N-9.3
- If you want another color, contact us please.

Compliance & Certification

- IEC 60079-0,1,7
- Notification of Ministry of Labor No. 2010-36
- Certified by KGS (Korea Gas Safety Corporation)

Technical Data

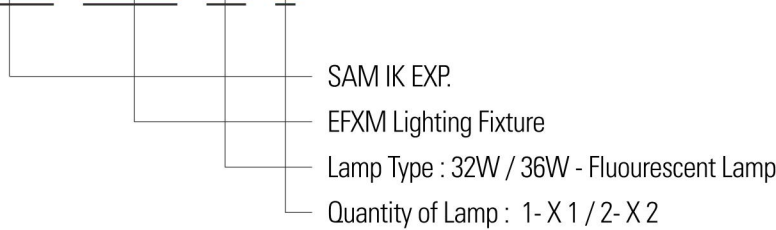
Electrical Ratings	
Rated Voltage	AC110V/220V/240V (*See Below)
Rated Wattage	32W*1 /32W*2
Rated Frequency	50Hz/60Hz
Entry Size	1/2", 3/4"

Ordering Number

LAMP	Watt	Catalog No.	Weigh
Fluorescent Lamp	32W X 1	SEBP-EFXM321	6.0kg
	32W X 2	SEBP-EFXM322	
	36W X 1	SEBP-EFXM321	6.18kg
	36W X 2	SEBP-EFXM322	

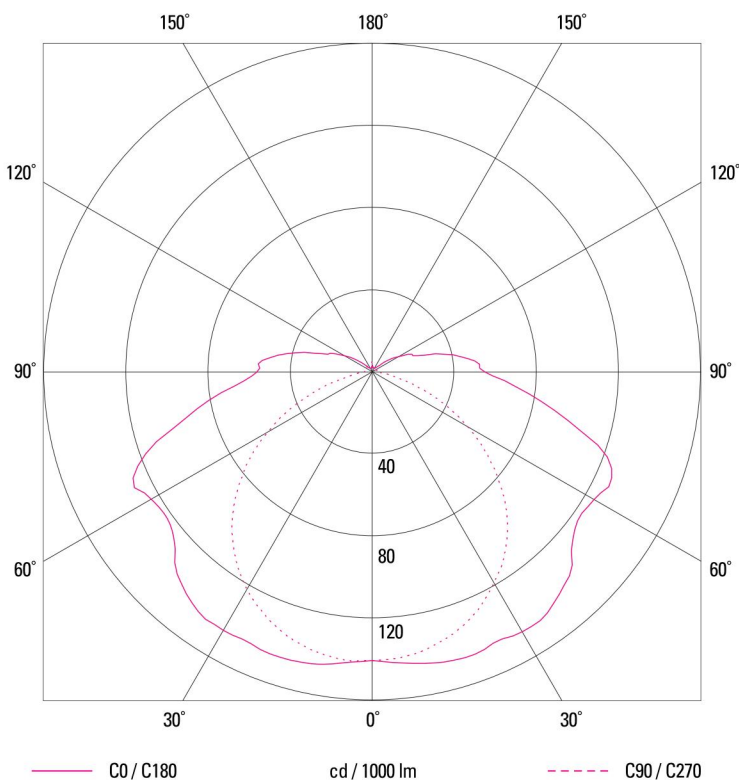
Ordering Information

SEBP - EFXM - 32 - 1



*** Entry Size : 1/2" / 3/4"**

Photometric Data



	C0	C90	C180
0°	141	141	141
10°	144	138	145
20°	146	131	146
30°	146	119	145
40°	142	102	141
50°	127	80	126
60°	125	54	124
70°	122	27	118
80°	84	7	81
90°	55	2	56
100°	44	3	47
110°	24	2	26
120°	15	2	16
130°	6	2	7
140°	3	2	3
150°	2	2	2
160°	2	3	2
170°	3	3	3
180°	3	3	3
	cd / 1000 lm		