

Incandescent / Compact Fluorescent Lighting Fixtures

# EUI SERIES

Type of Explosion-Proof  
Flameproof (Ex d IIC T4 IP66)



## Standard Materials

- Enclosure : Die Casting aluminium alloy
- Globe : Heat resistant hard glass
- Inner Reflector : High purity aluminium
- Guard : Die casting aluminium alloy

## Standard Finish

- MUNSELL No. 7.5BG 6/1.5
- If you want another color, contact us please.

## Compliance & Certification

- IEC 60079-0,1
- Notification of Ministry of Labor No. 2010-36
- Certified by KOSHA  
(Korea Occupational Safety & Health Agency)

## Application

### EUI Series lighting fixture are used

- To provide incandescent lighting in locations made hazardous due to the presence of hydrogen, gases or vapors of an equivalent hazard, such as manufactured gas
- Hydrogen areas of process industries, missile bases where hydrogen fuel is used and gas manufacturing plants
- In areas of lesser hazard than indicated above
- EUI pendant mount luminaire is also suitable for use in locations made hazardous due to the presence of acetylene

## Features

- Easy to assemble and relamp
- Gasket seals out dirt and liquids
- Positive locking of globe holder
- Heat- and impact-resistant globe
- Inner reflector eliminates upward spill light
- Lightweight

### Technical Data

Electrical Ratings	
Rated Voltage	AC110V/220V/240V (*See Below)
Rated Wattage	IL100W,200W / EL20W,EL25W
Rated Frequency	50Hz, 60Hz
Entry Size	1/2", 3/4"

### Weight

Mounting Type	Catalog No.	Weight
Ceiling Type	SEBP-EUI1001	2.1kg

### Ordering Number

LAMP	Watt	Ceiling	Pendant	40° Bracket	90° Bracket
Incandescent Lamp	100	SEBP-EUIIL-100-1	SEBP-EUIIL-100-2	SEBP-EUIIL-100-3	SEBP-EUIIL-100-4
	200	SEBP-EUIIL-200-1	SEBP-EUIIL-200-2	SEBP-EUIIL-200-3	SEBP-EUIIL-200-4
Compact Fluorescent Lamp	20	SEBP-EUIEL-20-1	SEBP-EUIEL-20-2	SEBP-EUIEL-20-3	SEBP-EUIEL-20-4
	25	SEBP-EUIEL-25-1	SEBP-EUIEL-25-2	SEBP-EUIEL-25-3	SEBP-EUIEL-25-4

### Ordering Information

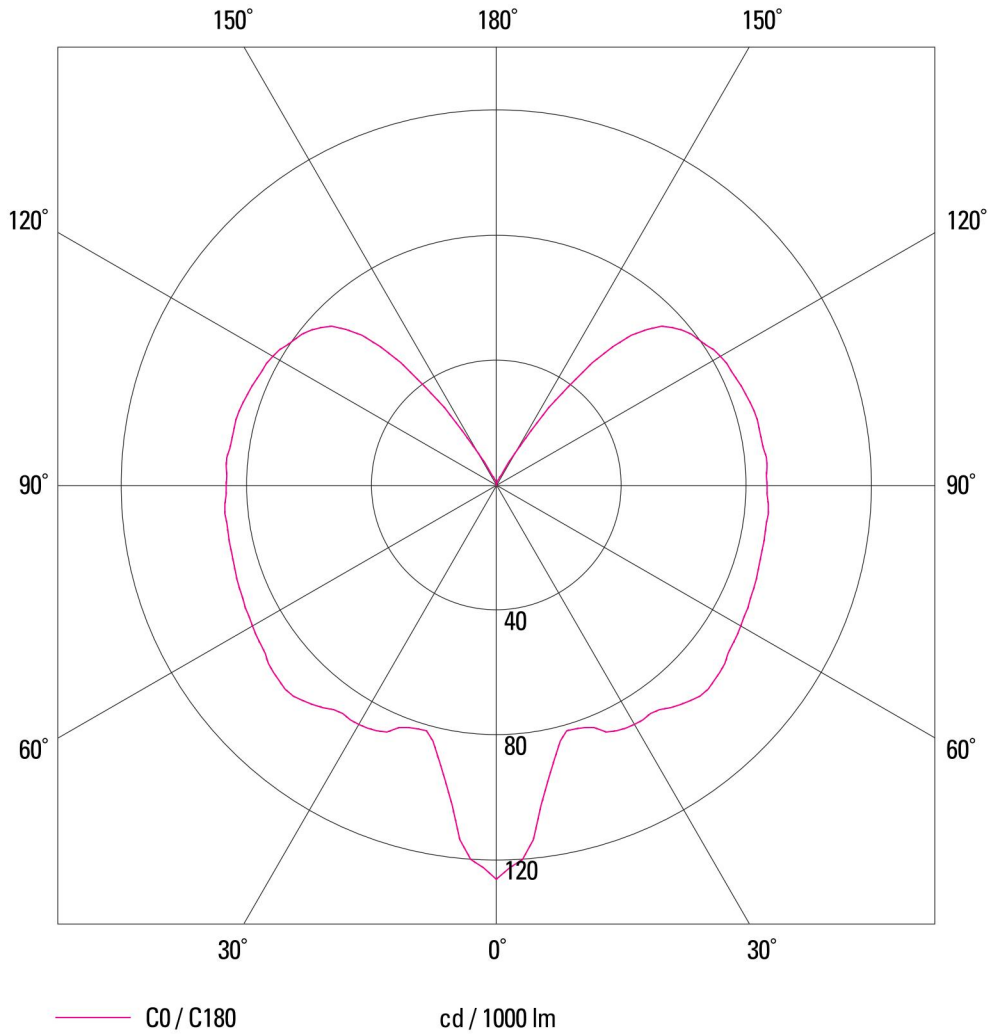
**SEBP - EUI - IL - 100 - 1**



\* Entry Size : 1/2" / 3/4"

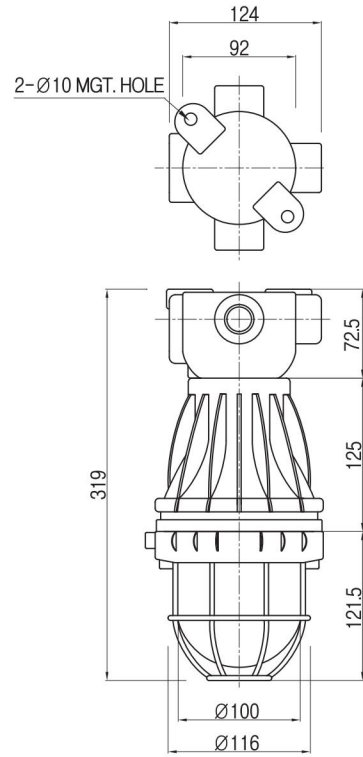
# Photometric Data

## SEBP-EUI-IL-200W

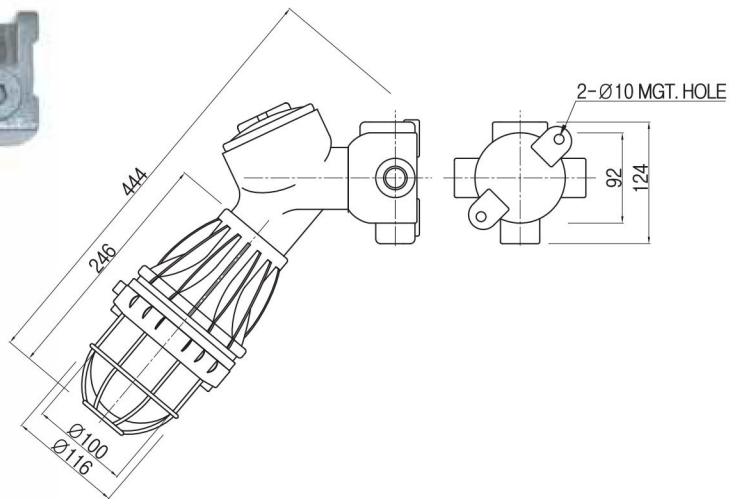


	C0	C90	C180
0°	126	126	126
10°	96	96	96
20°	82	82	82
30°	88	88	88
40°	92	92	92
50°	93	93	93
60°	90	90	90
70°	88	88	88
80°	87	87	87
90°	86	86	86
100°	86	86	86
110°	85	85	85
120°	83	83	83
130°	77	77	77
140°	58	58	58
150°	13	13	13
160°	2	2	2
170°	0	0	0
180°	0	0	0
	cd / 1000 lm		

## Dimension

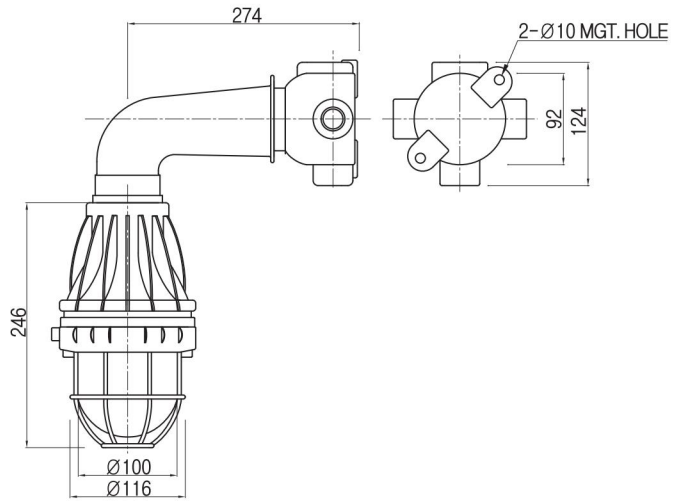


Ceiling Type

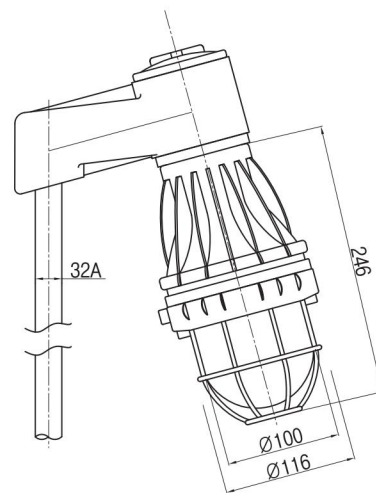


Wall Bracket Type

## Dimension



90. Bracket Type



Stanchion Pole Type