

Integral Ballast Type Induction Lighting Fixtures

# FAI SERIES

Type of Explosion-proof  
**Flameproof (Ex d IIB+H2 T5)**  
**Dust-ignition proof (Ex tD A21 T100°C IP65)**



### Standard Materials

- Enclosure : Cast aluminium alloy
- Globe : Heat resistant hard glass
- Inner Reflector : High purity aluminium
- Guard : Stainless steel

### Standard Finish

- MUNSSELL No. 7.5BG 6/1.5
- If you want another color, contact us please.

### Compliance & Certification

- IEC 60079-0,1
- Notification of Ministry of Labor No. 2010-36
- Certified by KGS (Korea Gas Safety Corporation)

### Application

FAI Series lighting fixture are used

- Where an extra long life lamp source (up to 100,000 hours) is required.
- In areas that require lamps to reach full illumination immediately.
- Where cool temperature ratings on the luminaire globe are needed to ensure safe operation in hazardous areas.
- In hard-to-reach applications where relamping is costly.
- Where luminaire maintenance is difficult due to continuous process operation requirements that restrict or prohibit shut down except in emergency situations.
- To provide a cost-effective lighting system (low installed/life cost) by minimizing or even eliminating routine luminaire maintenance.
- In cold environment applications.

### Features

- Cold start and re-strike times are faster than metal halide and sodium lamps (about 0.5 sec.)
- With excellent color rendering, visual illuminance is higher compared to metal and sodium lamps given the same illuminance ; hence the improved brightness and stability.
- Illuminance does not change even with a 30% voltage fluctuation (no flickering).
- The surface temperature of the lamp is less than 110°C compared to metal and sodium lamps (about 350~400°C)
- Has consistent lumen maintenance over time since operating at lower temperatures as compared to metal halide and sodium lamps.

### Technical Data

Electrical Ratings	
Rated Voltage	AC110V/220V/240V (*See Below)
Rated Wattage	55W/60W/70W/80W/85W/100W 120W/135W/150W/165W
Rated Frequency	50Hz/60Hz
Entry Size	1/2", 3/4", 1"

### Weight

Mounting Type	Catalog No.	Weight
Ceiling Type	SEBP-FAIMX1501	18.5kg

### Ordering Number

LAMP	Watt	Ceiling	Pendant	40° Bracket	90° Bracket
Induction Lamp	55	SEBP-FAIMX-551	SEBP-FAIMX-552	SEBP-FAIMX-553	SEBP-FAIMX-554
	60	SEBP-FAIMX-601	SEBP-FAIMX-602	SEBP-FAIMX-603	SEBP-FAIMX-604
	70	SEBP-FAIMX-701	SEBP-FAIMX-702	SEBP-FAIMX-703	SEBP-FAIMX-704
	80	SEBP-FAIMX-801	SEBP-FAIMX-802	SEBP-FAIMX-803	SEBP-FAIMX-804
	85	SEBP-FAIMX-851	SEBP-FAIMX-852	SEBP-FAIMX-853	SEBP-FAIMX-854
	100	SEBP-FAIMX-1001	SEBP-FAIMX-1002	SEBP-FAIMX-1003	SEBP-FAIMX-1004
	120	SEBP-FAIMX-1201	SEBP-FAIMX-1202	SEBP-FAIMX-1203	SEBP-FAIMX-1204
	135	SEBP-FAIMX-1351	SEBP-FAIMX-1352	SEBP-FAIMX-1353	SEBP-FAIMX-1354
	150	SEBP-FAIMX-1501	SEBP-FAIMX-1502	SEBP-FAIMX-1503	SEBP-FAIMX-1504
	165	SEBP-FAIMX-1651	SEBP-FAIMX-1652	SEBP-FAIMX-1653	SEBP-FAIMX-1654

### Ordering Information

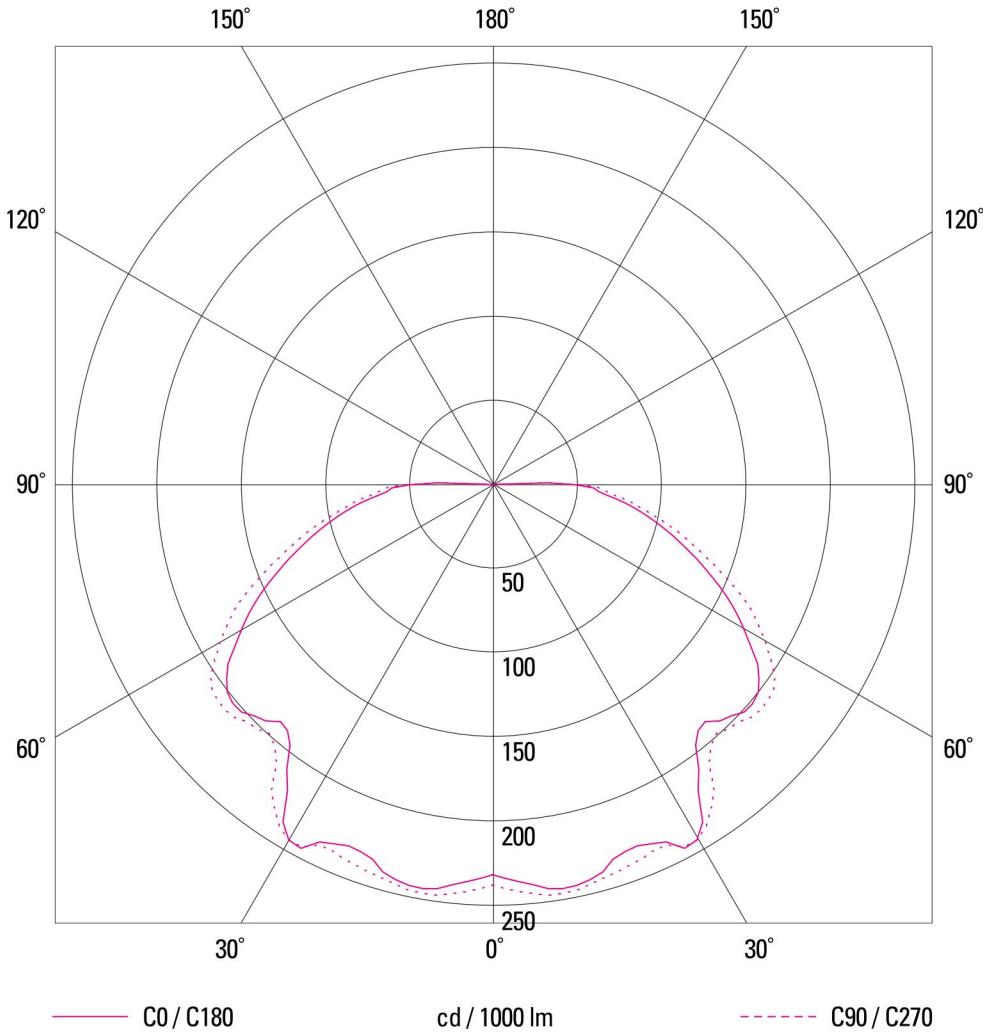
**SEBP - FAI - MX - 100 - 1**



\* Entry Size : 1/2" / 3/4" / 1"

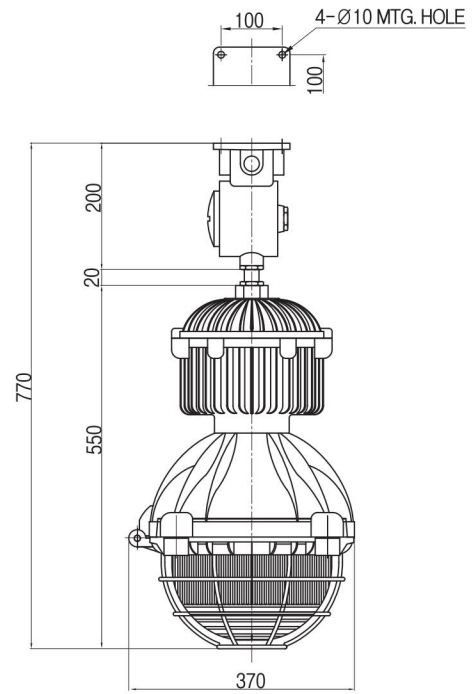
# Photometric Data

## SEBP-FAI-MX-150W

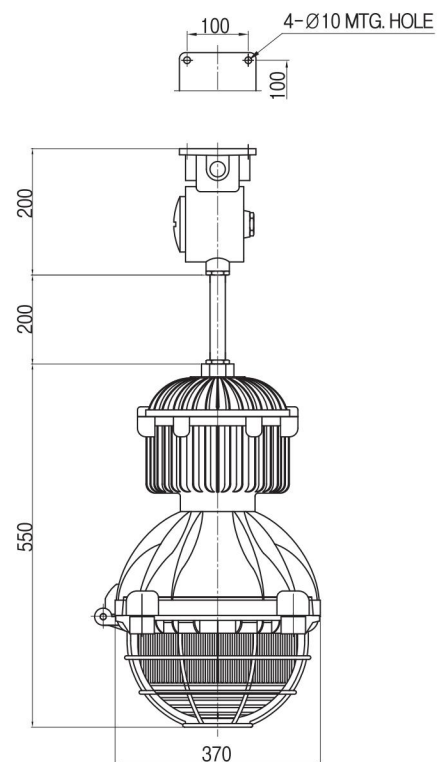


	C0	C90	C180
0°	220	223	232
5°	223	226	238
10°	223	232	244
15°	226	229	241
20°	220	229	232
25°	217	235	235
30°	229	238	244
35°	214	214	214
40°	185	191	191
45°	185	188	197
50°	194	191	202
55°	191	185	194
60°	176	167	173
65°	156	144	153
70°	129	120	129
75°	109	103	109
80°	88	85	88
85°	70	65	68
90°	50	47	50
	cd / 1000 lm		

## Dimension

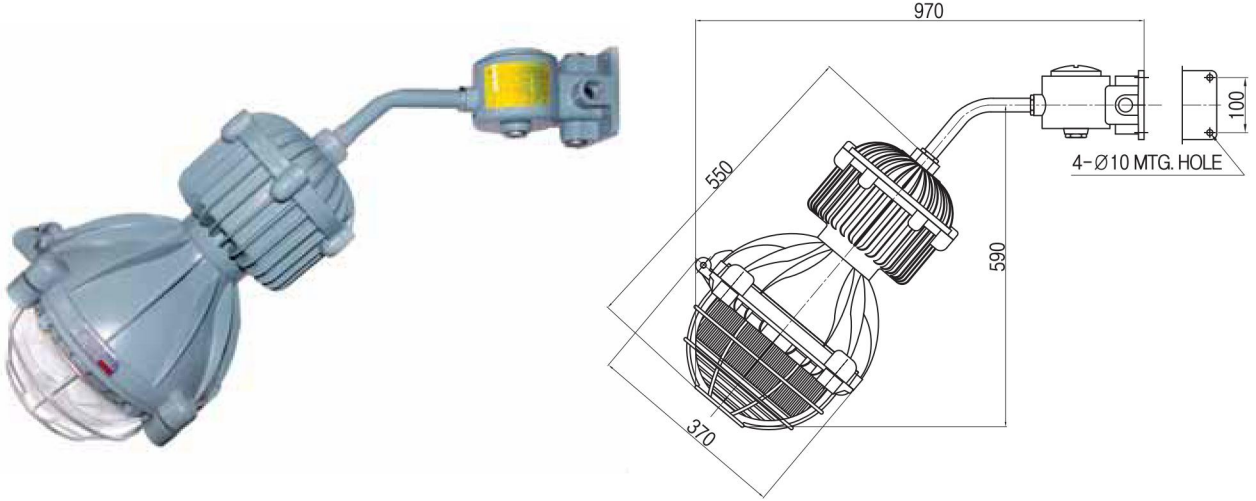


Ceiling Type

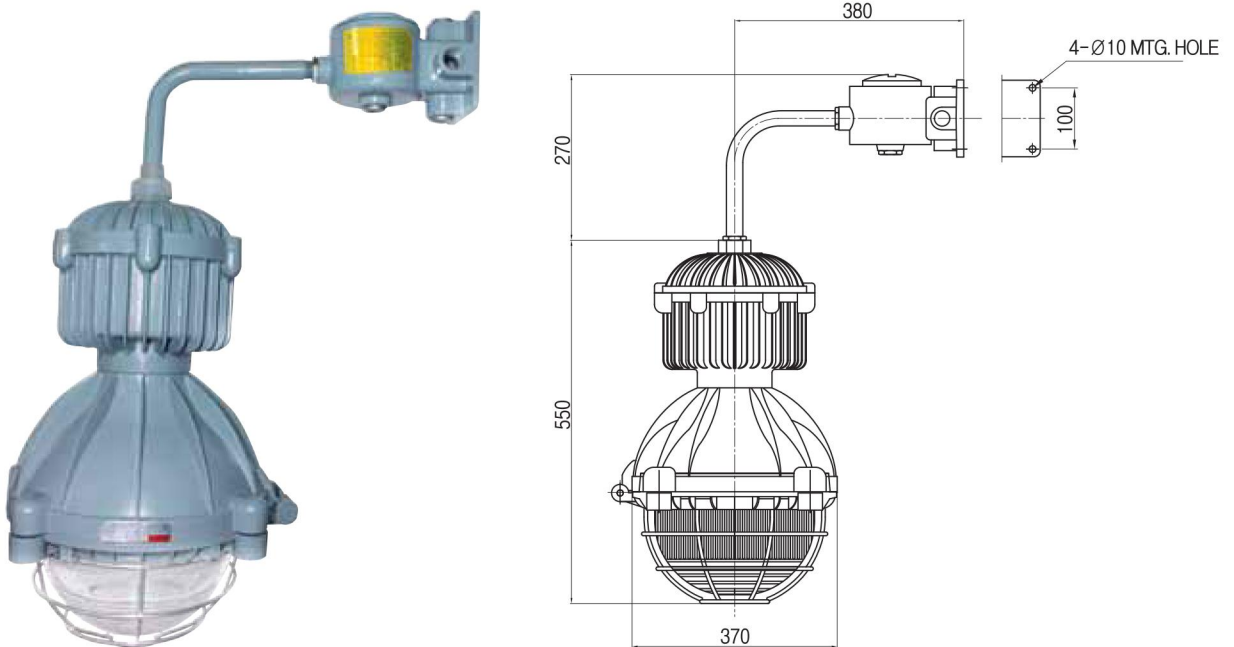


Pendant Type

## Dimension



40° Bracket Type



90° Bracket Type