

Separated Ballast Type Induction Lighting Fixtures

# FAS SERIES

Type of Explosion-proof  
**Flameproof (Ex d IIB+H2 T5)**  
**Dust-ignition proof (Ex tD A21 T100°C IP65)**



## Standard Materials

- Enclosure : Die casting aluminium alloy
- Mounting Box : Die casting aluminium alloy
- Ballast Box : Die casting aluminium alloy
- Globe : Heat resistant hard glass
- Inner Reflector : High purity aluminium
- Guard : Stainless steel

## Standard Finish

- MUNSELL No. 7.5BG 6/1.5
- If you want another color, contact us please.

## Compliance & Certification

- IEC 60079-0,1
- Notification of Ministry of Labor No. 2010-36
- Certified by KOSHA  
 (Korea Occupational Safety & Health Agency)

## Application

FAS Series Induction Lighting fixtures are used

- Areas where flammable or explosive vapors or gases are present.
- Confined spaces or heavy process industry facilities.
- Petroleum refineries; chemical, petrochemical and pharmaceutical plants; oil terminals; gas plants.
- Waste treatment facilities.
- Drilling platforms and other coastal and offshore hazardous areas.

## Features

- Small, compact size is perfect where low mounting restrictions are a concern.
- All exterior hardware is corrosionresistant stainless steel.
- Integral ballast for lowest installed cost.

### Technical Data

Electrical Ratings	
Rated Voltage	AC110V/220V/240V (*See Below)
Rated Wattage	55W/60W/70W/80W/85W/100W
Rated Frequency	50Hz/60Hz
Entry Size	1/2", 3/4", 1"

### Weight

Mounting Type	Catalog No.	Weight
Ceiling Type	SEBP-FASMX1001	9.5kg

### Ordering Number

LAMP	Watt	Ceiling	Pendant	40° Bracket	90° Bracket
Induction Lamp	55	SEBP-FASMX-551	SEBP-FASMX-552	SEBP-FASMX-553	SEBP-FASMX-554
	60	SEBP-FASMX-601	SEBP-FASMX-602	SEBP-FASMX-603	SEBP-FASMX-604
	70	SEBP-FASMX-701	SEBP-FASMX-702	SEBP-FASMX-703	SEBP-FASMX-704
	80	SEBP-FASMX-801	SEBP-FASMX-802	SEBP-FASMX-803	SEBP-FASMX-804
	85	SEBP-FASMX-851	SEBP-FASMX-852	SEBP-FASMX-853	SEBP-FASMX-854
	100	SEBP-FASMX-1001	SEBP-FASMX-1002	SEBP-FASMX-1003	SEBP-FASMX-1004

### Ordering Information

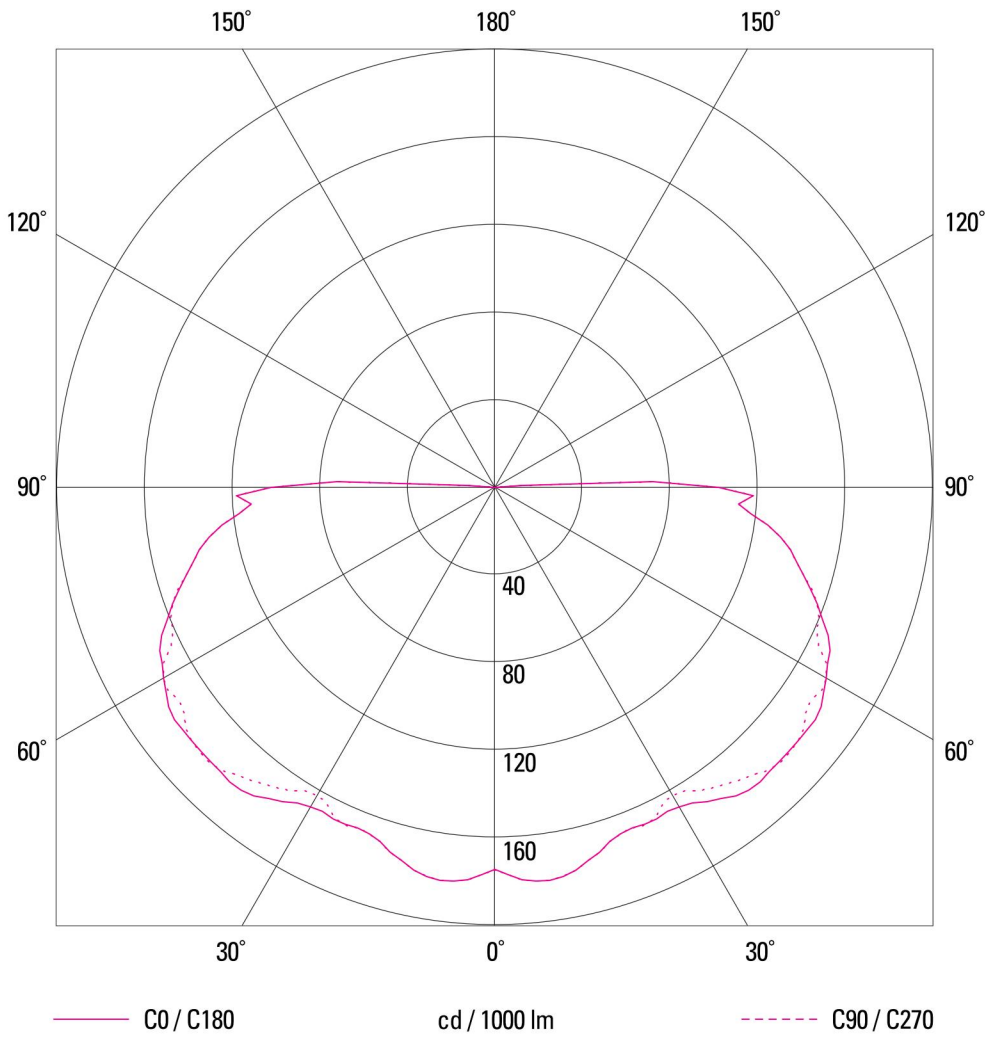
**SEBP - FAS - MX - 100 - 1**



\* Entry Size : 1/2" / 3/4" / 1"

# Photometric Data

## SEBP-FAS-MX-100W



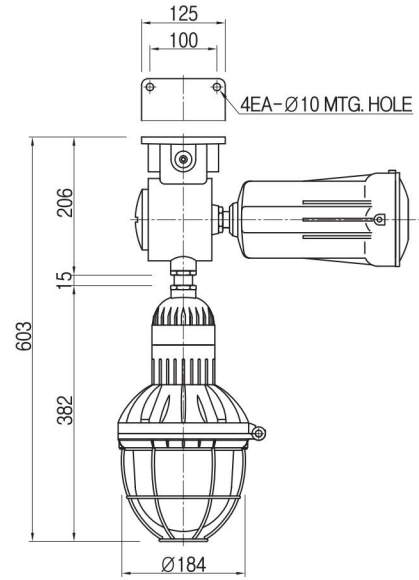
	C0	C90	C180
0°	138	175	175
5°	144	181	181
10°	144	175	181
15°	138	169	175
20°	144	169	169
25°	144	169	169
30°	150	169	169
35°	157	175	175
40°	163	181	181
45°	169	181	181
50°	169	187	181
55°	169	187	181
60°	169	181	175
65°	163	175	169
70°	157	163	157
75°	144	150	144
80°	132	138	132
85°	120	120	114
90°	102	102	102
	cd / 1000 lm		

— C0 / C180

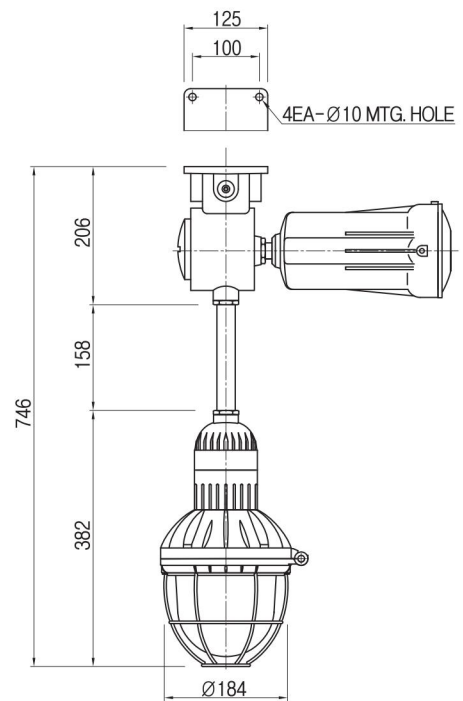
cd / 1000 lm

- - - C90 / C270

## Dimension

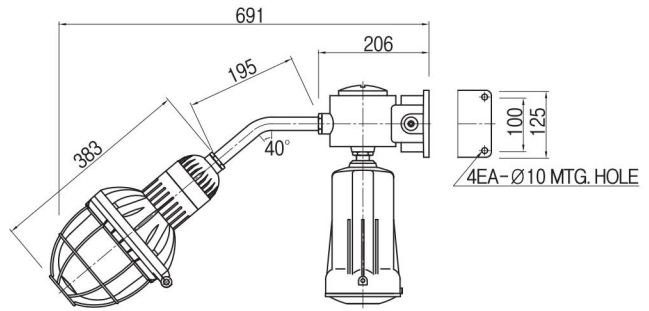


Ceiling Type

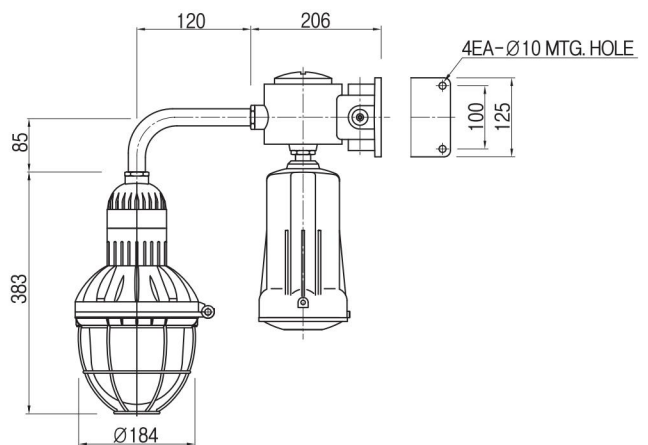


Pendant Type

## Dimension



40° Bracket Type



90° Bracket Type