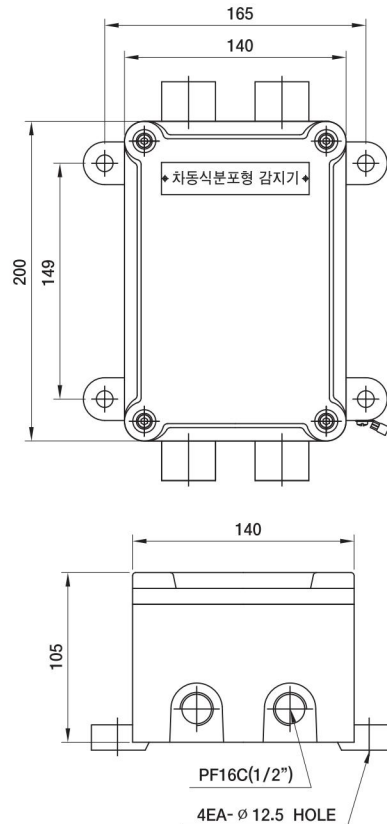


Pneumatic Rate of Rise Heat Detector

# FPRH SERIES

Type of Explosion-Proof  
Flameproof (Ex d IIB+H2 T6)



### Standard Materials

- Body : Cast aluminium alloy
- Cover : Cast aluminium alloy
- Bolt & Washer : Stainless Steel

### Standard Finish

- MUNSELL No. 7.5R 3/12
- If you want another color, contact us please.

### Technical Data

- Rated Voltage : AC 110V,220V / DC12V,24V

### Compliance & Certification

- IEC 60079-0,1
- Notification of Ministry of Labor No.2010-36
- Certified by KGS  
(Korea Gas Safety Corporation)