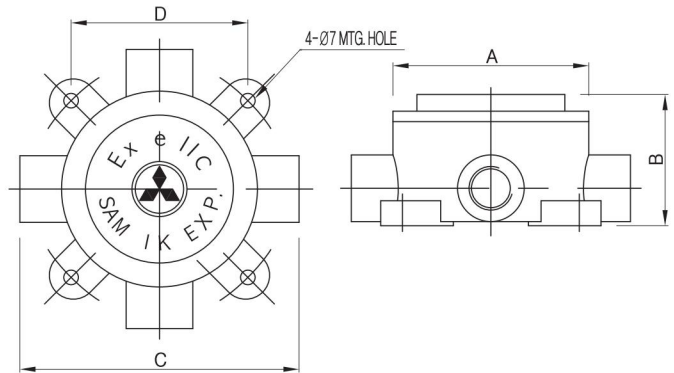


Increase Safety-Proof & Flame-Proof Round Junction Box

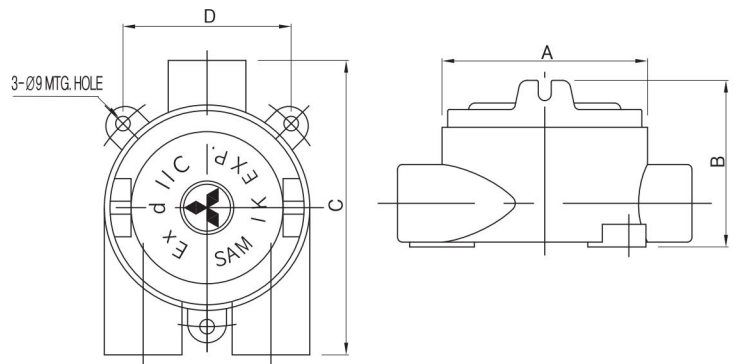
GA SERIES

Type of Explosion-Proof
Flameproof (Ex d IIC)

GA

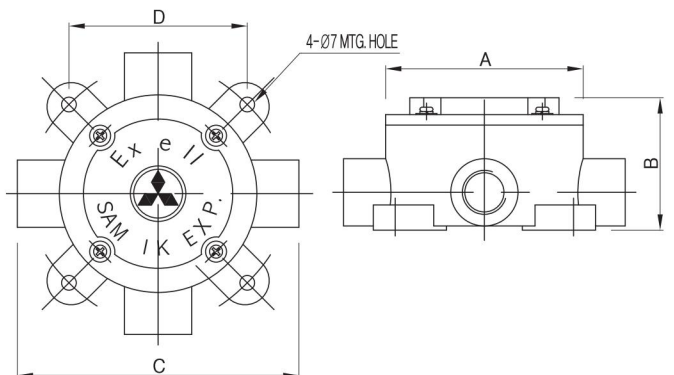


GR



Type of Explosion-Proof
Increased safety proof (Ex e II)

GB



Standard Materials

- **Body** : Cast iron or Die casting aluminium alloy
- **Cover** : Cast iron or Die casting aluminium alloy
- **O-ring** : Silicone Rubber

Standard Finish

- Hot Dip. Galvanized with stove enamelled silver white

Compliance & Certification

- Notification of Ministry of Labor No. 2010-36
- Certified by KOSHA
(Korea Occupational Safety & Health Agency)

GA Data

Catalog No.	Thread Size	Dimensions				
		A	B	C	D	E
SEBP-GA-16	16C (1/2")	102	70	144	85	9
SEBP-GA-22	22C (3/4")	102	70	144	85	9
SEBP-GA-28	28C (1")	102	76	144	85	9
SEBP-GA-36	36C (1-1/4")	115	76	165	93	9
SEBP-GA-42	42C (1-1/2")	115	86	165	93	9
SEBP-GA-54	54C (2")	153	117	232	130	10

GR Data

Catalog No.	Thread Size	Dimensions				
		A	B	C	D	E
SEBP-GR-16	16C (1/2")	123	105	188	105	9
SEBP-GR-22	22C (3/4")	123	105	188	105	9
SEBP-GR-28	28C (1")	123	105	188	105	9

GB Data

Catalog No.	Thread Size	Dimensions				
		A	B	C	D	E
SEBP-GB-16	16C (1/2")	95	69	134	85	7
SEBP-GB-22	22C (3/4")	95	75	134	85	7
SEBP-GB-28	28C (1")	95	83	138	85	7
SEBP-GB-36	36C (1-1/4")	125	100	170	106	9
SEBP-GB-42	42C (1-1/2")	125	107	170	106	9
SEBP-GB-54	54C (2")	160	135	228	142	10