

High Efficient Flood Light

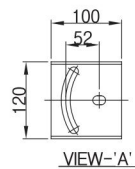
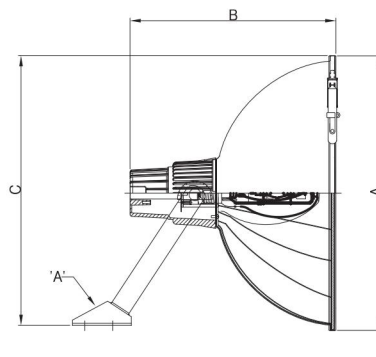
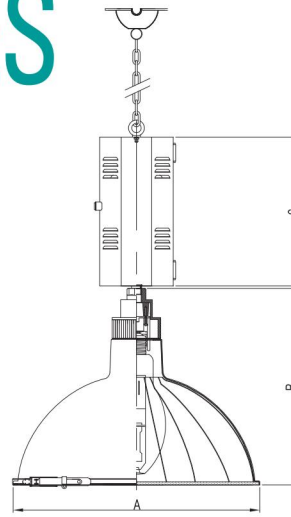
# HRDS-12 SERIES



SEBP-HRDS-12



SEBP-HRDS-12-B



## Technical Data

Catalog No.	Watt	Lamp	Dimension		
			A	B	C
SEBP-HRDS-12	Max.400W	MH,NH,H	500	400	305
SEBP-HRDS-12-B	Max.400W	MH,NH,H	500	380	410

### Application

- Medium and large factories, large showrooms, steel, refining, power plants, shipyards, etc. are used for lighting apparatus.
- Medium Ski resorts, golf courses, athletic fields, etc. are used in the place you need high intensity.

### Standard Materials

- Socket Housing : Die Casting Aluminium
- Socket : Porcelain with Mogul Socket E39
- Reflector : 95% Total Reflection 12 Angle Type Anodised Aluminium Oxide Reflector.

### Features

- The optimum reflection & diffusion of light.
- Remove the dead zone
- Enlarge the specular surface.
- Enhance reflexivity through the diffused reflection.
- Anodizing & PVD coating.
- Easy adjustment of socket height which allows convenient angle and illuminance adjustment

### Standard Finish

- MUNSELL No. 7.5BG 6/1.5
- If you want another color, contact us please.