

## Integral Ballast Type Induction Lighting Fixtures

## MJ SERIES

Type of Explosion-proof  
**Non Sparking (Ex nR II T5 IP65)**  
**Dust-ignition proof (Ex tD A21 T100°C IP65)**



## Application

- Where an extra long life lamp source (up to 100,000 hours) is required.
- In areas that require lamps to reach full illumination immediately.
- Where cool temperature ratings on the luminaire globe are needed to ensure safe operation in hazardous areas.
- In hard-to-reach applications where relamping is costly.
- Where luminaire maintenance is difficult due to continuous process operation requirements that restrict or prohibit shut down except in emergency situations.
- To provide a cost-effective lighting system (low installed/life cost) by minimizing or even eliminating routine luminaire maintenance.
- In cold environment applications.

## Features

- Cold start and re-strike times are faster than metal halide and sodium lamps (**about 0.5 sec.**)
- With excellent color rendering, visual illuminance is higher compared to metal and sodium lamps given the same illuminance ; hence the improved brightness and stability.
- Illuminance does not change even with a 30% voltage fluctuation (no flickering).
- The surface temperature of the lamp is less than 110°C compared to metal and sodium lamps (about 350~400°C)
- Has consistent lumen maintenance over time since operating at lower temperatures as compared to metal halide and sodium lamps.

## Standard Materials

- Enclosure : Aluminium sheet
- Globe : Heat resistant hard glass
- Globe Frame : Die casting aluminium alloy
- Mounting Box : Die casting aluminium alloy
- Ballast Box : Die casting aluminium alloy

## Standard Finish

- MUNSELL No. 7.5BG 6/1.5
- If you want another color, contact us please.

## Compliance &amp; Certification

- IEC 60079-0,15
- Notification of Ministry of Labor No. 2010-36
- Certified by KGS (Korea Gas Safety Corporation)

### Technical Data

Electrical Ratings	
Rated Voltage	AC110V/220V/240V (*See Below)
Rated Wattage	55W/60W/70W/80W/85W/100W 120W/135W/150W/165W
Rated Frequency	50Hz/60Hz
Entry Size	1/2", 3/4"

### Weight

Mounting Type	Catalog No.	Weight
Ceiling Type	SEBP-MJMX1651	13.2kg

### Ordering Number

LAMP	Watt	Ceiling	Pendant	40° Bracket	90° Bracket
Induction Lamp	55	SEBP-MJMX-551	SEBP-MJMX-552	SEBP-MJMX-553	SEBP-MJMX-554
	60	SEBP-MJMX-601	SEBP-MJMX-602	SEBP-MJMX-603	SEBP-MJMX-604
	70	SEBP-MJMX-701	SEBP-MJMX-702	SEBP-MJMX-703	SEBP-MJMX-704
	80	SEBP-MJMX-801	SEBP-MJMX-802	SEBP-MJMX-803	SEBP-MJMX-804
	85	SEBP-MJMX-851	SEBP-MJMX-852	SEBP-MJMX-853	SEBP-MJMX-854
	100	SEBP-MJMX-1001	SEBP-MJMX-1002	SEBP-MJMX-1003	SEBP-MJMX-1004
	120	SEBP-MJMX-1201	SEBP-MJMX-1202	SEBP-MJMX-1203	SEBP-MJMX-1204
	135	SEBP-MJMX-1351	SEBP-MJMX-1352	SEBP-MJMX-1353	SEBP-MJMX-1354
	150	SEBP-MJMX-1501	SEBP-MJMX-1502	SEBP-MJMX-1503	SEBP-MJMX-1504
	165	SEBP-MJMX-1651	SEBP-MJMX-1652	SEBP-MJMX-1653	SEBP-MJMX-1654

### Ordering Information

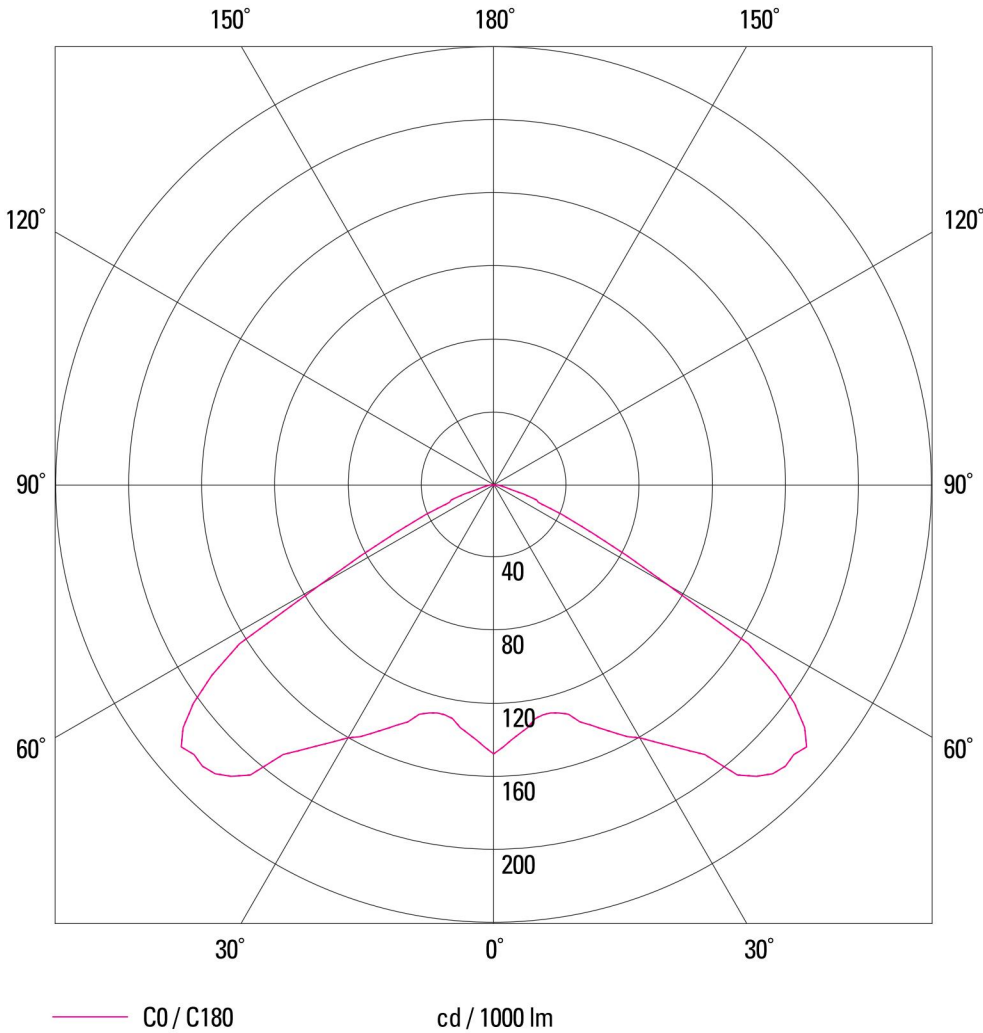
**SEBP - MJ - MX - 100 - 1**



\* Entry Size : 1/2" / 3/4"

## Photometric Data

### SEBP-MJ-MX-165W GLOBE AND GUARD



	C0	C90	C180
0°	148	148	148
5°	138	138	138
10°	130	130	130
15°	129	129	129
20°	138	138	138
25°	149	149	149
30°	160	160	160
35°	176	176	176
40°	208	208	208
45°	221	221	221
50°	224	224	224
55°	196	196	196
60°	110	110	110
65°	50	50	50
70°	25	25	25
75°	8	8	8
80°	2	2	2
85°	0	0	0
90°	1	1	1
	cd / 1000 lm		

## Reflector

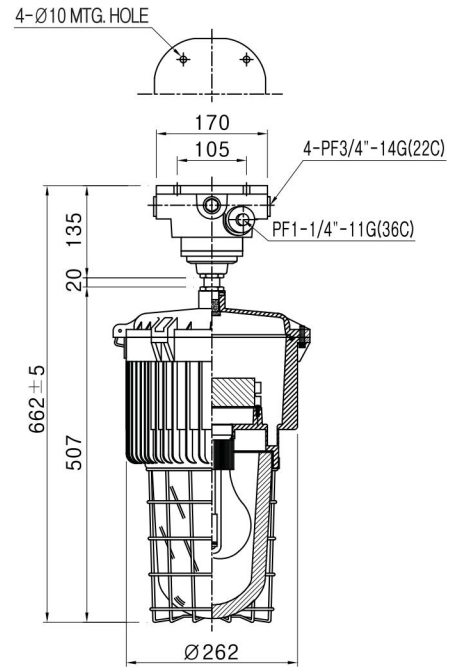


Standard Dome Reflector

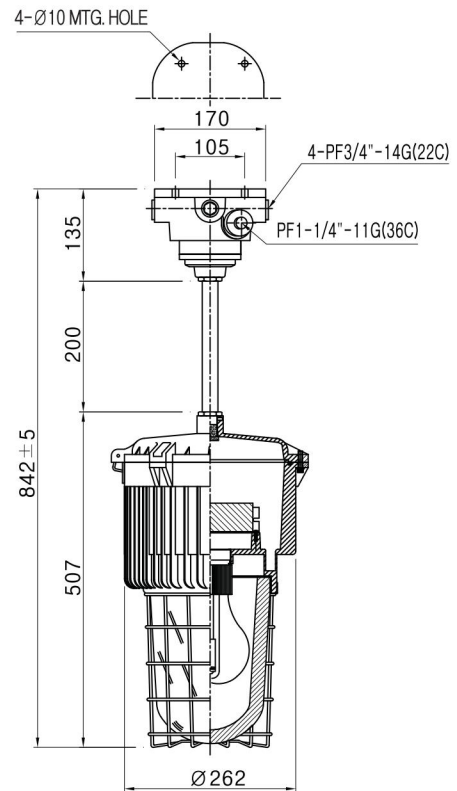


Angle Dome Reflector

## Dimension

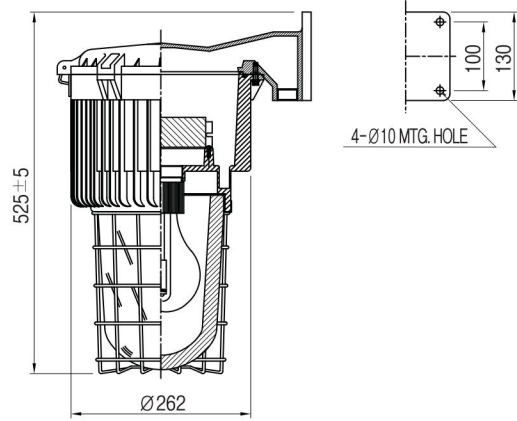


Ceiling Type

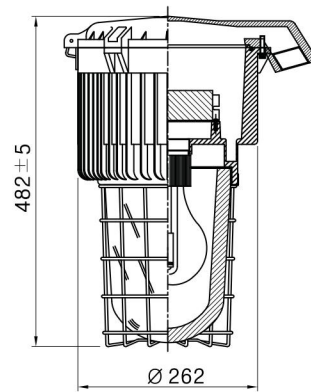


Pendant Type

## Dimension



Bracket Type



Stanchion Pole Type