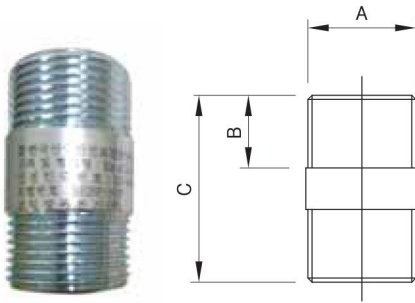


Flame-Proof Fitting Accessories

NIP, LC SERIES

Type of Explosion-Proof
Flameproof (Ex d IIC)

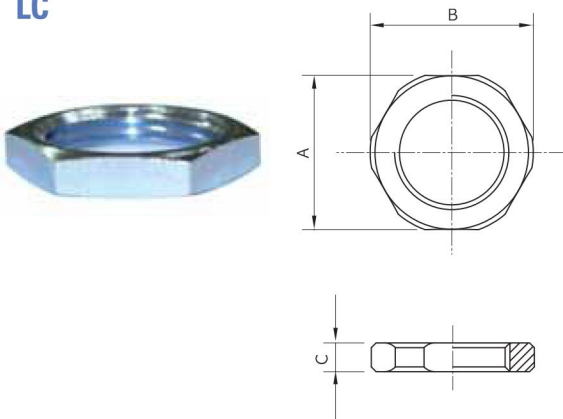
NIP



Nipple

Catalog No.	Thread Size	Dimensions	
		A	B
SEBP-NIP-16	16C (1/2")	28	21
SEBP-NIP-22	22C (3/4")	32	21
SEBP-NIP-28	28C (1")	40	24
SEBP-NIP-36	36C (1-1/4")	49	28
SEBP-NIP-42	42C (1-1/2")	55	33
SEBP-NIP-54	54C (2")	70	33
SEBP-NIP-70	70C (2-1/2")	84	40
SEBP-NIP-82	82C (3")	98	42
SEBP-NIP-104	104C (4")	134	46

LC



Lock Nut

Catalog No.	Thread Size	Dimensions		
		A	B	C
SEBP-LC-16	16C (1/2")	27	29	3
SEBP-LC-22	22C (3/4")	33	36	3
SEBP-LC-28	28C (1")	41	44	5
SEBP-LC-36	36C (1-1/4")	60	55	5
SEBP-LC-42	42C (1-1/2")	67	63	8
SEBP-LC-54	54C (2")	69	76	8
SEBP-LC-70	70C (2-1/2")	84	94	8
SEBP-LC-82	82C (3")	97	106	8
SEBP-LC-104	104C (4")	125	135	10

Standard Materials

- Body : Carbon Steel

Standard Finish

- Zinc electro plated

Compliance & Certification

- Notification of Ministry of Labor No. 2010-36
- Certified by KOSHA
(Korea Occupational Safety & Health Agency)