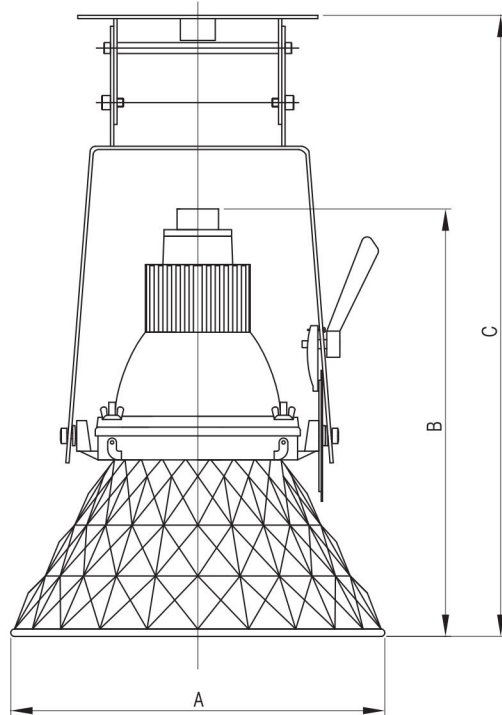


Diamond Crane Light

SDAK SERIES



Technical Data

Catalog No.	Watt	Lamp	Dimension		
			A	B	C
SEBP-SDAK-400	Max.400W	MH,NH,H	365	380	690
SEBP-SDAK-1000	Max.1000W	MH,NH,H	510	510	690

Application

- Transport facilities.
- Tower Crane facilities.
- Load & Unload facilities.

Standard Materials

- Socket Housing : Die Casting Aluminium
- Socket : Porcelain with Mogul Socket E39
- Reflector : Aluminium Plate

Features

- Die cast aluminum housing
- High purity aluminum reflector.
- Thermal resistance silicon rubber seal gasket
- Toughened glass face frame, impact and high temperature resistance
- Simple structure, easy for mounting

Standard Finish

- MUNSELL No. 7.5BG 6/1.5
- If you want another color, contact us please.