

Integral Ballast Type Induction Lighting Fixtures

# SG SERIES

Type of Explosion-proof  
**Flameproof (Ex d IIC T5 IP66)**  
**Dust-ignition proof (Ex tD A21 T100°C IP65)**



### Standard Materials

- Enclosure : Die casting aluminium alloy
- Globe : Heat resistant hard glass
- Inner Reflector : High purity aluminium
- Guard : Stainless steel

### Standard Finish

- MUNSELL No. 7.5BG 6/1.5
- If you want another color, contact us please.

### Compliance & Certification

- IEC 60079-0,1
- Notification of Ministry of Labor No. 2010-36
- Certified by KOSHA  
 (Korea Occupational Safety & Health Agency)

### Application

**SG Series lighting fixture are used**

- In heavy process industries having environments where flammable or explosive vapors or gases, or where combustible dusts are present.
- In paint spray booth suitability provides efficient, economical Induction lighting for paint spray areas.
- In hazardous areas, both indoors and outdoors where long life and low maintenance costs are desired.
- In hazardous locations requiring elevated ambient capability.
- In marine applications where water spray and corrosive atmospheres are considerations.

### Features

- Maintenance costs and life time : 60,000Hours
- Energy saving (60~70% power saving compared to HID lamps)
- Re-striking time in less than 0.01 sec. So suitable to emergency.
- Temperature-Rising : 90~110°C (Low-temperature)
- No flicker phenomenon, Low-flare on eyes

### Technical Data

Electrical Ratings	
Rated Voltage	AC110V/220V/240V (*See Below)
Rated Wattage	55W/60W/70W/80W/85W/100W 120W/135W/150W/165W
Rated Frequency	50Hz/60Hz
Entry Size	1/2", 3/4"

### Weight

Mounting Type	Catalog No.	Weight
Ceiling Type	SEBP-SGMX1651	16.2kg

### Ordering Number

LAMP	Watt	Ceiling	Pendant	40° Bracket	90° Bracket
Induction Lamp	55	SEBP-SGMX-551	SEBP-SGMX-552	SEBP-SGMX-553	SEBP-SGMX-554
	60	SEBP-SGMX-601	SEBP-SGMX-602	SEBP-SGMX-603	SEBP-SGMX-604
	70	SEBP-SGMX-701	SEBP-SGMX-702	SEBP-SGMX-703	SEBP-SGMX-704
	80	SEBP-SGMX-801	SEBP-SGMX-802	SEBP-SGMX-803	SEBP-SGMX-804
	85	SEBP-SGMX-851	SEBP-SGMX-852	SEBP-SGMX-853	SEBP-SGMX-854
	100	SEBP-SGMX-1001	SEBP-SGMX-1002	SEBP-SGMX-1003	SEBP-SGMX-1004
	120	SEBP-SGMX-1201	SEBP-SGMX-1202	SEBP-SGMX-1203	SEBP-SGMX-1204
	135	SEBP-SGMX-1351	SEBP-SGMX-1352	SEBP-SGMX-1353	SEBP-SGMX-1354
	150	SEBP-SGMX-1501	SEBP-SGMX-1502	SEBP-SGMX-1503	SEBP-SGMX-1504
	165	SEBP-SGMX-1651	SEBP-SGMX-1652	SEBP-SGMX-1653	SEBP-SGMX-1654

### Ordering Information

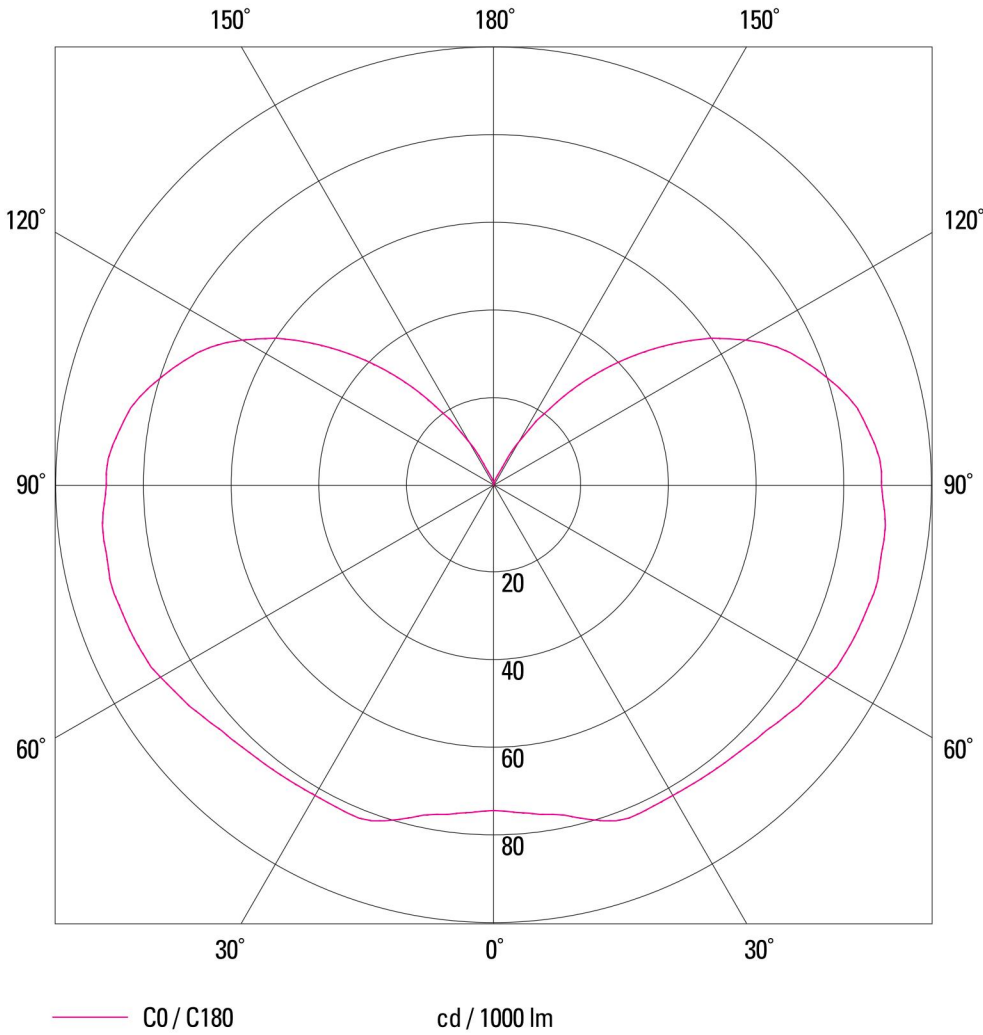
**SEBP - SG - MX - 100 - 1**



\* Entry Size : 1/2" / 3/4"

## Photometric Data

### SEBP-SG-MX-150W GLOBE AND GUARD



	C0	C90	C180
0°	74	74	74
10°	76	76	76
20°	82	82	82
30°	82	82	82
40°	83	83	83
50°	84	84	84
60°	88	88	88
70°	90	90	90
80°	90	90	90
90°	89	89	89
100°	86	86	86
110°	78	78	78
120°	66	66	66
130°	49	49	49
140°	29	29	29
150°	11	11	11
160°	2	2	2
170°	1	1	1
180°	0	0	0
	cd / 1000 lm		

## Reflector

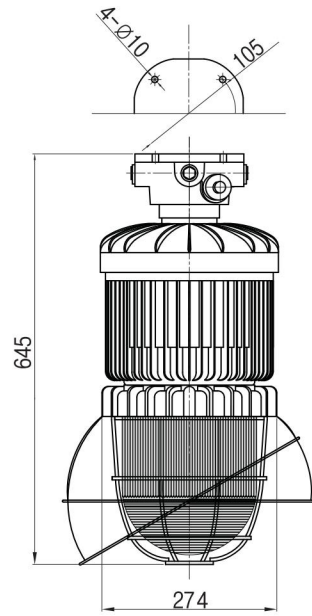


Standard Dome Reflector

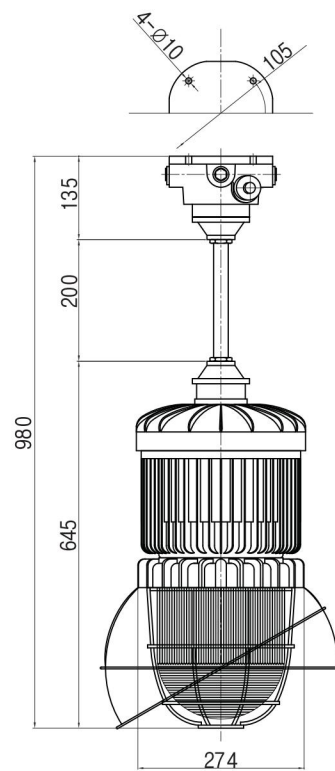


Angle Dome Reflector

## Dimension

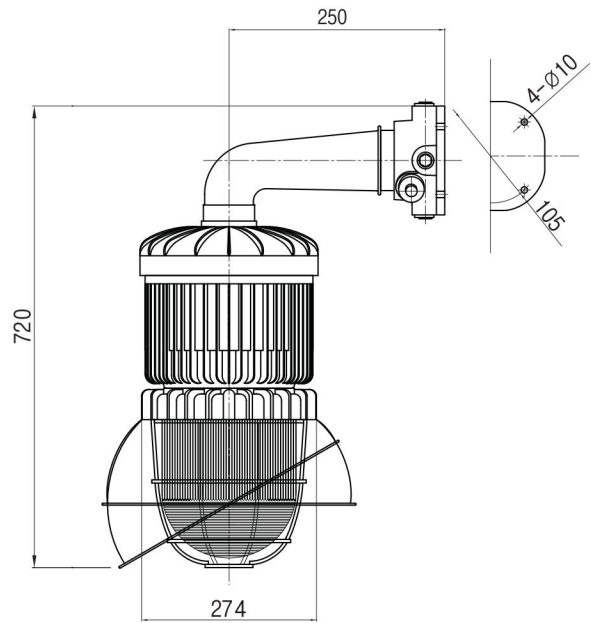


Ceiling Type

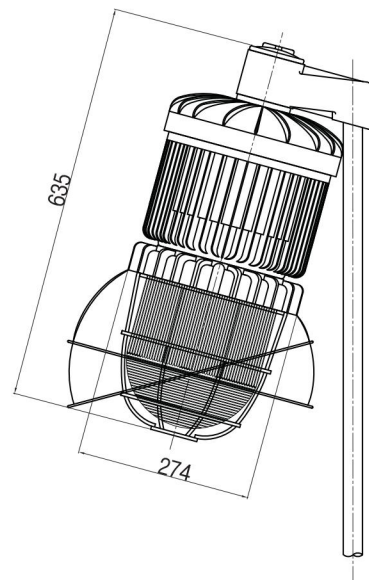


Pendant Type

## Dimension



Bracket Type



Stanchion Pole Type