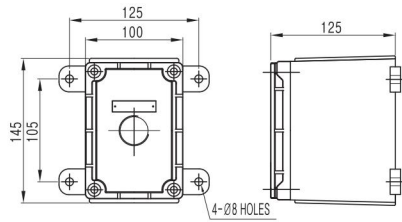


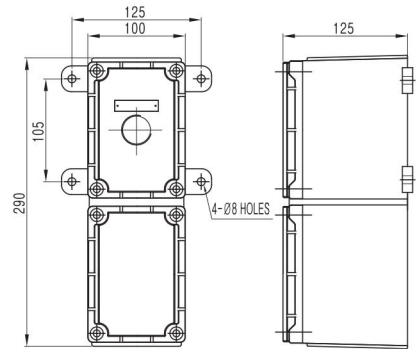
Enclosures

SOB SERIES

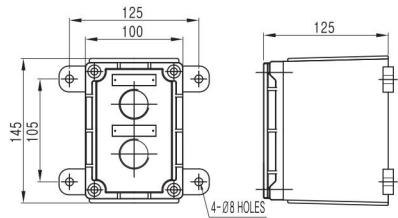
Type of Explosion-Proof
Flameproof (Ex d IIB+H2 T6)



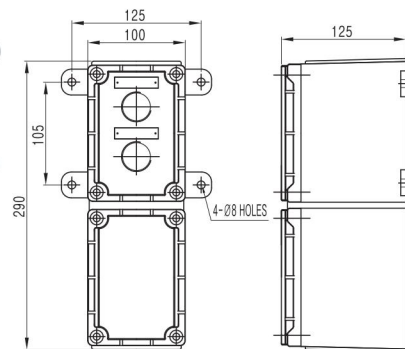
SOB-1



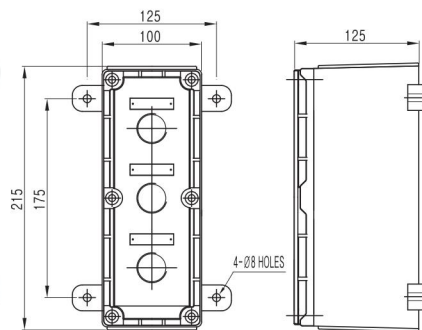
SOB-1-TB



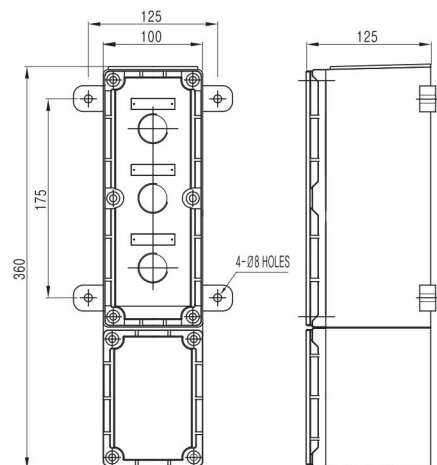
SOB-2



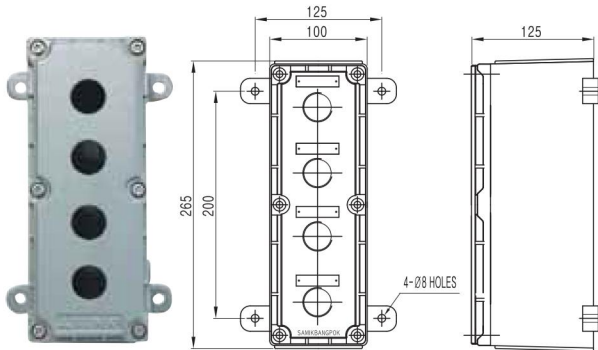
SOB-2-TB



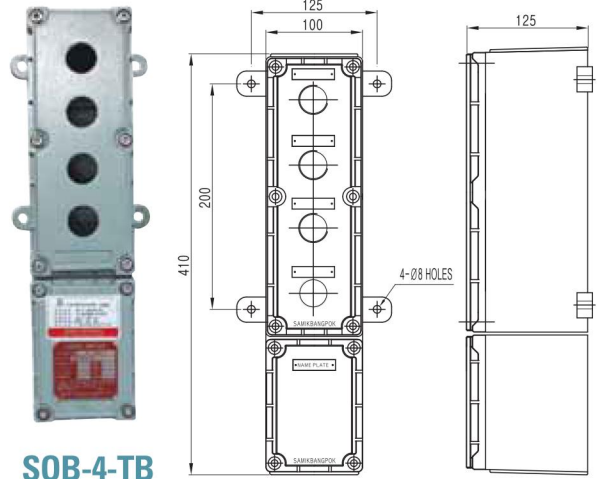
SOB-3



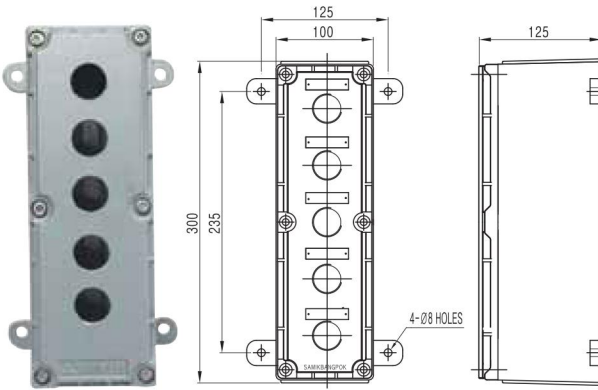
SOB-3-TB



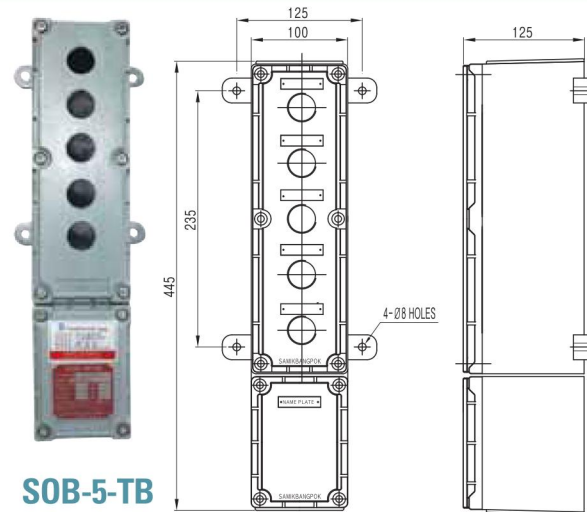
SOB-4



SOB-4-TB



SOB-5



SOB-5-TB

Standard Materials

- **Body** : Cast aluminium alloy
- **Cover** : Cast aluminium alloy
- **Terminal Box** : Cast aluminium alloy
- **Bolt & Washer** : Stainless steel

Standard Finish

- MUNSSELL No. 7.5BG 6/1.5
- If you want another color, contact us please.

Compliance & Certification

- IEC 60079-0,1
- Notification of Ministry of Labor No.2010-36
- Certified by KOSHA (Korea Occupational Safety & Health Agency), KGS (Korea Gas Safety Corporation), and the others.

Local Control Station

SOB-1



SOB-1-TB



SOB-2



SOB-2-TB



SOB-3



SOB-3-TB



SOB-4



SOB-4-TB



SOB-5



SOB-5-TB

