

## Separated Ballast Type H.I.D Lighting Fixtures

# SP SERIES

Type of Explosion-proof  
**Non Sparking (Ex nR II T3 IP54)**  
**Dust-ignition proof (Ex tD A22 T200°C IP54)**



## Standard Materials

- Enclosure : Aluminium sheet
- Globe : Heat resistant hard glass
- Globe Frame : Die casting aluminium alloy
- Mounting Box : Die casting aluminium alloy
- Ballast Box : Die casting aluminium alloy

## Standard Finish

- MUNSELL No. 7.5BG 6/1.5
- If you want another color, contact us please.

## Compliance & Certification

- IEC 60079-0,15
- Notification of Ministry of Labor No. 2010-36
- Certified by KGS (Korea Gas Safety Corporation)

## Application

SP Series lighting fixture are used

- In heavy process industries having environments where flammable or explosive vapors or gases, or where combustible dusts are present.
- In paint spray booth suitability provides efficient, economical HID lighting for paint spray areas.
- In hazardous areas, both indoors and outdoors where long life and low maintenance costs are desired.
- Where ignitable concentrations of flammable gased, vapors or liquids can exist all of the time or some of the time under normal operation conditions.

## Features

- The globe is sealed into the globe frame firmly with silicone rubber gasket, and the globe assembly is fitted to the body by three socket head capative screws.
- The body and ballast are constructed separately so as to protect the ballast from the heat of the lamp.

### Technical Data

|                    |                               |
|--------------------|-------------------------------|
| Electrical Ratings |                               |
| Rated Voltage      | AC110V/220V/240V (*See Below) |
| Rated Wattage      | 100W/150W/175W/200W/250W/400W |
| Rated Frequency    | 50Hz/60Hz                     |
| Entry Size         | 1/2", 3/4", 1"                |

### Weight

|               |               |        |
|---------------|---------------|--------|
| Mounting Type | Catalog No.   | Weight |
| Ceiling Type  | SEBP-SPHL2501 | 10.2kg |
| Ceiling Type  | SEBP-SPHL4001 | 11.5kg |

### Ordering Number

| LAMP                  | Watt | Ceiling        | Pendant        | 40° Bracket    | 90° Bracket    |
|-----------------------|------|----------------|----------------|----------------|----------------|
| High Pressure Sodium  | 100  | SEBP-SPNL-1001 | SEBP-SPNL-1002 | SEBP-SPNL-1003 | SEBP-SPNL-1004 |
|                       | 150  | SEBP-SPNL-1501 | SEBP-SPNL-1502 | SEBP-SPNL-1503 | SEBP-SPNL-1504 |
|                       | 200  | SEBP-SPNL-2001 | SEBP-SPNL-2002 | SEBP-SPNL-2003 | SEBP-SPNL-2004 |
|                       | 250  | SEBP-SPNL-2501 | SEBP-SPNL-2502 | SEBP-SPNL-2503 | SEBP-SPNL-2504 |
|                       | 400  | SEBP-SPNL-4001 | SEBP-SPNL-4002 | SEBP-SPNL-4003 | SEBP-SPNL-4004 |
| Metal Halide          | 150  | SEBP-SPHL1501  | SEBP-SPHL-1502 | SEBP-SPHL-1503 | SEBP-SPHL-1504 |
|                       | 175  | SEBP-SPHL-1751 | SEBP-SPHL-1752 | SEBP-SPHL-1753 | SEBP-SPHL-1754 |
|                       | 200  | SEBP-SPHL-2001 | SEBP-SPHL-2002 | SEBP-SPHL-2003 | SEBP-SPHL-2004 |
|                       | 250  | SEBP-SPHL-2501 | SEBP-SPHL-2502 | SEBP-SPHL-2503 | SEBP-SPHL-2504 |
|                       | 350  | SEBP-SPHL-3501 | SEBP-SPHL-3502 | SEBP-SPHL-3503 | SEBP-SPHL-3504 |
|                       | 400  | SEBP-SPHL-4001 | SEBP-SPHL-4002 | SEBP-SPHL-4003 | SEBP-SPHL-4004 |
| High Pressure Mercury | 100  | SEBP-SPH-1001  | SEBP-SPH-1002  | SEBP-SPH-1003  | SEBP-SPH-1004  |
|                       | 200  | SEBP-SPH-2001  | SEBP-SPH-2002  | SEBP-SPH-2003  | SEBP-SPH-2004  |
|                       | 250  | SEBP-SPH-2501  | SEBP-SPH-2502  | SEBP-SPH-2503  | SEBP-SPH-2504  |
|                       | 400  | SEBP-SPH-4001  | SEBP-SPH-4002  | SEBP-SPH-4003  | SEBP-SPH-4004  |

### Ordering Information

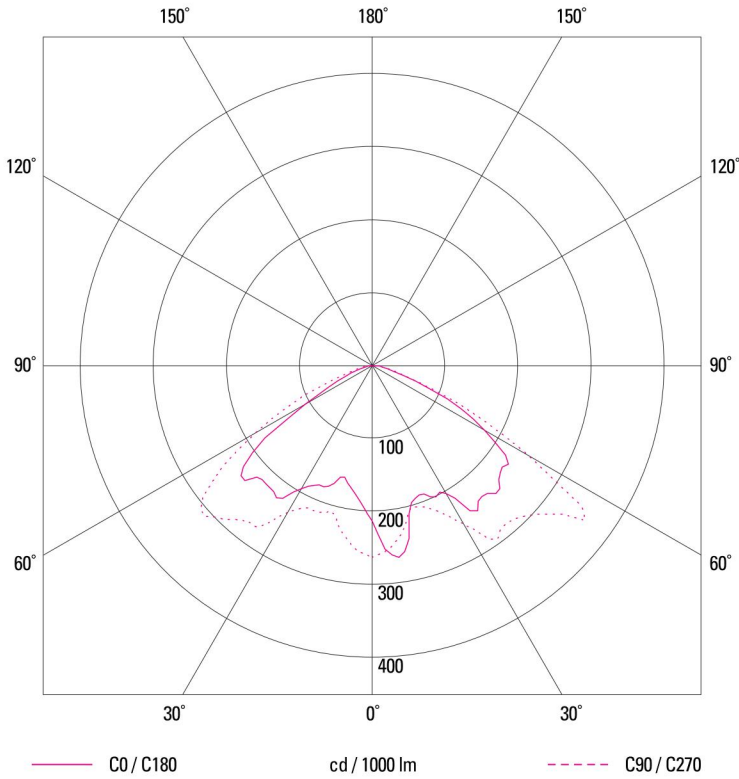
**SEBP - SP - HL - 100 - 1**



\* Entry Size : 1/2" / 3/4" / 1"

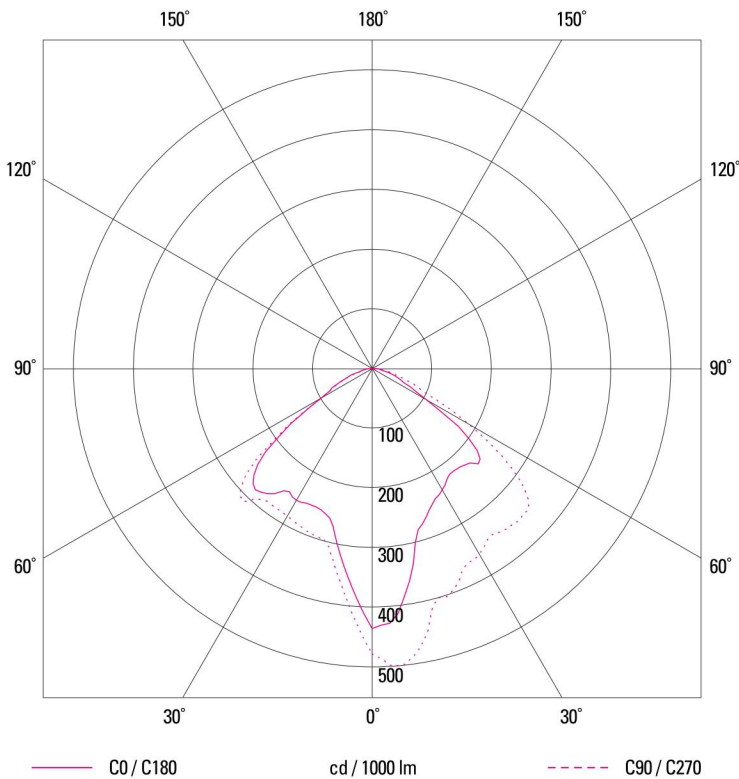
## Photometric Data

### SEBP-SP-HL-250W



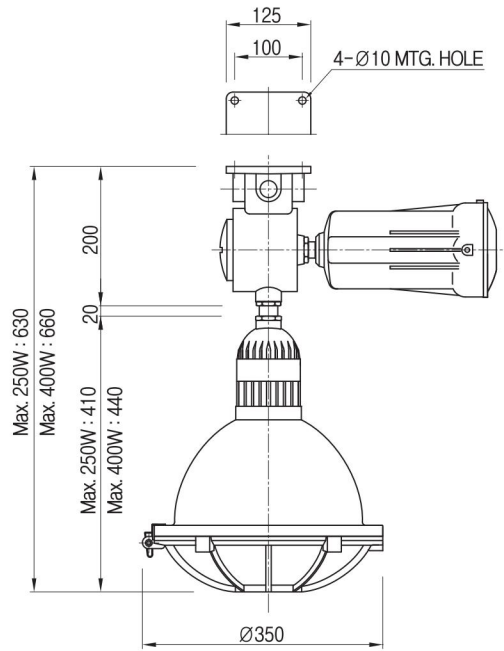
|     | C0           | C90 | C180 |
|-----|--------------|-----|------|
| 0°  | 213          | 263 | 213  |
| 5°  | 257          | 253 | 188  |
| 10° | 259          | 233 | 170  |
| 15° | 201          | 203 | 158  |
| 20° | 189          | 206 | 176  |
| 25° | 199          | 222 | 181  |
| 30° | 203          | 251 | 195  |
| 35° | 244          | 291 | 222  |
| 40° | 234          | 284 | 219  |
| 45° | 244          | 292 | 218  |
| 50° | 229          | 316 | 235  |
| 55° | 226          | 357 | 191  |
| 60° | 177          | 246 | 105  |
| 65° | 125          | 148 | 59   |
| 70° | 64           | 72  | 32   |
| 75° | 27           | 34  | 15   |
| 80° | 15           | 17  | 7    |
| 85° | 8            | 8   | 4    |
| 90° | 5            | 6   | 4    |
|     | cd / 1000 lm |     |      |

### SEBP-SP-HL-400W

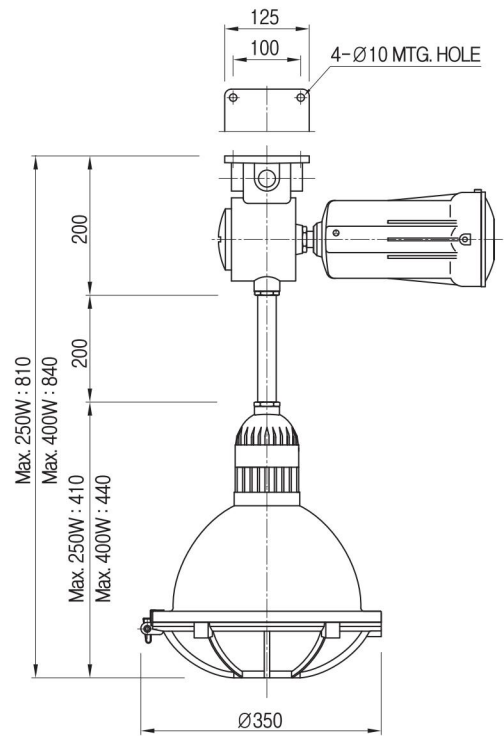


|     | C0           | C90 | C180 |
|-----|--------------|-----|------|
| 0°  | 436          | 478 | 436  |
| 5°  | 421          | 501 | 373  |
| 10° | 361          | 472 | 315  |
| 15° | 290          | 406 | 266  |
| 20° | 264          | 396 | 252  |
| 25° | 245          | 366 | 251  |
| 30° | 234          | 359 | 255  |
| 35° | 222          | 344 | 250  |
| 40° | 220          | 350 | 274  |
| 45° | 226          | 353 | 281  |
| 50° | 236          | 342 | 250  |
| 55° | 188          | 280 | 180  |
| 60° | 106          | 187 | 99   |
| 65° | 64           | 103 | 71   |
| 70° | 46           | 67  | 46   |
| 75° | 32           | 41  | 26   |
| 80° | 17           | 21  | 15   |
| 85° | 10           | 12  | 8    |
| 90° | 6            | 6   | 6    |
|     | cd / 1000 lm |     |      |

# Dimension

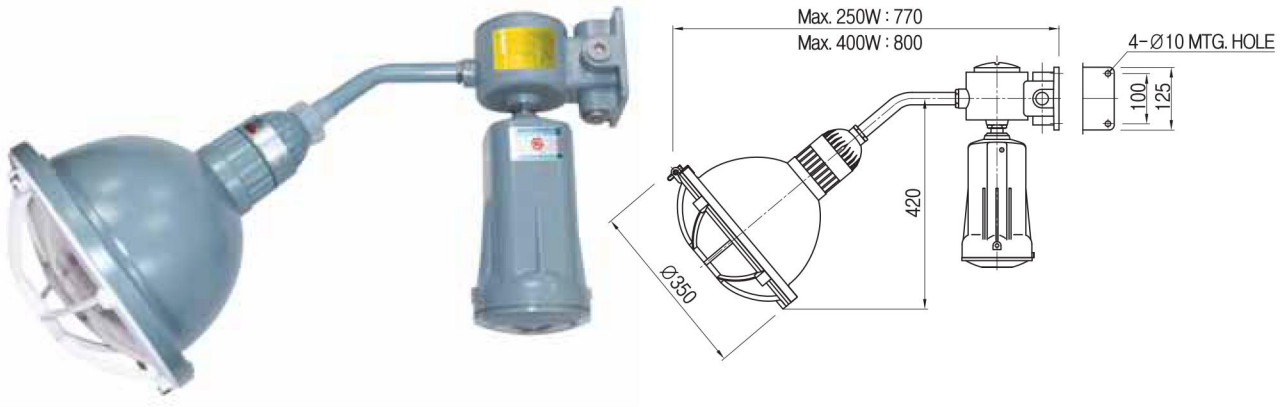


Ceiling Type

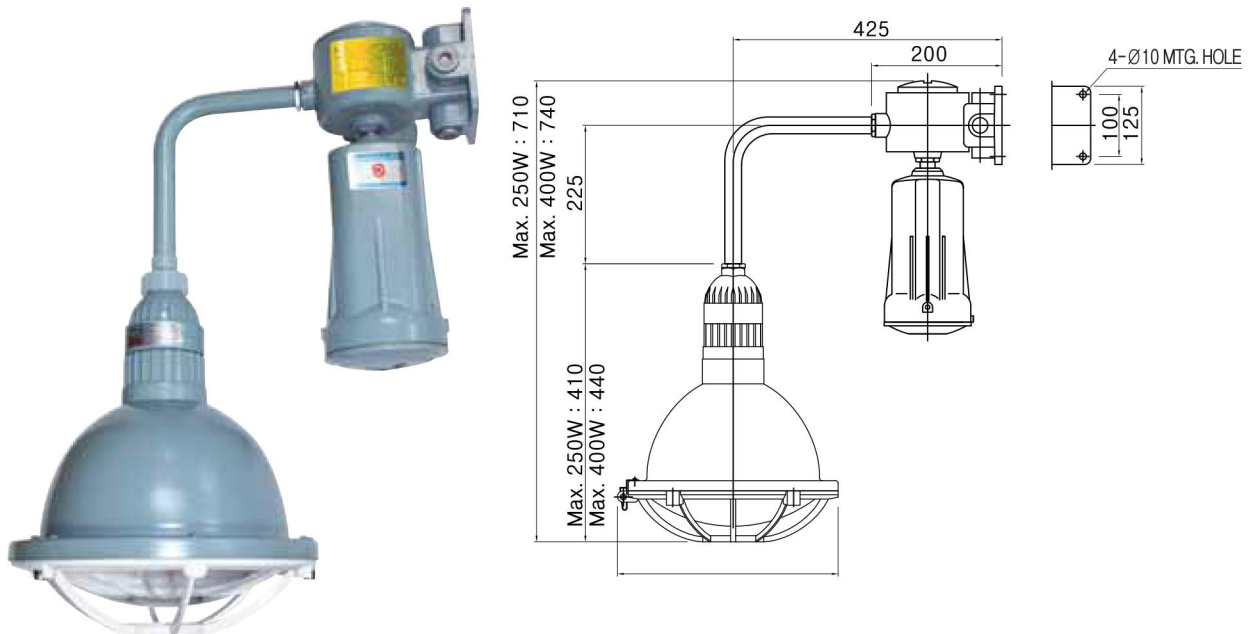


Pendant Type

## Dimension



40° Bracket Type



90° Bracket Type