

Integral Ballast Type Induction Lighting Fixtures

SPI SERIES

Type of Explosion-proof
Non Sparking (Ex nR II T5 IP54)
Dust-ignition proof (Ex tD A21 T100°C IP54)



Standard Materials

- Enclosure : Aluminium sheet
- Globe : Heat resistant hard glass
- Globe Frame : Die casting aluminium alloy
- Mounting Box : Die casting aluminium alloy
- Ballast Box : Die casting aluminium alloy

Standard Finish

- MUNSELL No. 7.5BG 6/1.5
- If you want another color, contact us please.

Compliance & Certification

- IEC 60079-0,15
- Notification of Ministry of Labor No. 2010-36
- Certified by KGS (Korea Gas Safety Corporation)

Application

- Where an extra long life lamp source (up to 100,000 hours) is required.
- In areas that require lamps to reach full illumination immediately.
- Where cool temperature ratings on the luminaire globe are needed to ensure safe operation in hazardous areas.
- In hard-to-reach applications where relamping is costly.
- Where luminaire maintenance is difficult due to continuous process operation requirements that restrict or prohibit shut down except in emergency situations.
- To provide a cost-effective lighting system (low installed/life cost) by minimizing or even eliminating routine luminaire maintenance.
- In cold environment applications.

Features

- Cold start and re-strike times are faster than metal halide and sodium lamps (**about 0.5 sec.**)
- With excellent color rendering, visual illuminance is higher compared to metal and sodium lamps given the same illuminance ; hence the improved brightness and stability.
- Illuminance does not change even with a 30% voltage fluctuation (no flickering).
- The surface temperature of the lamp is less than 110°C compared to metal and sodium lamps (about 350~400°C)
- Has consistent lumen maintenance over time since operating at lower temperatures as compared to metal halide and sodium lamps.

Technical Data

Electrical Ratings	
Rated Voltage	AC110V/220V/240V (*See Below)
Rated Wattage	55W/60W/70W/80W/85W/100W 120W/135W/150W/165W
Rated Frequency	50Hz/60Hz
Entry Size	1/2", 3/4"

Weight

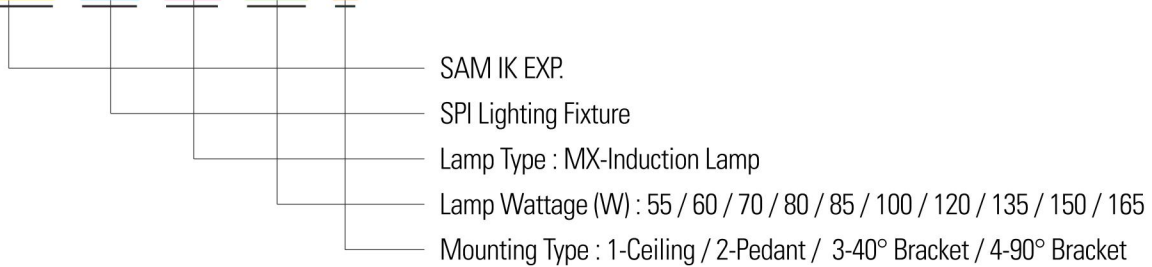
Mounting Type	Catalog No.	Weight
Ceiling Type	SEBP-SPIMX1651	11.4kg

Ordering Number

LAMP	Watt	Ceiling	Pendant	40° Bracket	90° Bracket
Induction Lamp	55	SEBP-SPIMX-551	SEBP-SPIMX-552	SEBP-SPIMX-553	SEBP-SPIMX-554
	60	SEBP-SPIMX-601	SEBP-SPIMX-602	SEBP-SPIMX-603	SEBP-SPIMX-604
	70	SEBP-SPIMX-701	SEBP-SPIMX-702	SEBP-SPIMX-703	SEBP-SPIMX-704
	80	SEBP-SPIMX-801	SEBP-SPIMX-802	SEBP-SPIMX-803	SEBP-SPIMX-804
	85	SEBP-SPIMX-851	SEBP-SPIMX-852	SEBP-SPIMX-853	SEBP-SPIMX-854
	100	SEBP-SPIMX-1001	SEBP-SPIMX-1002	SEBP-SPIMX-1003	SEBP-SPIMX-1004
	120	SEBP-SPIMX-1201	SEBP-SPIMX-1202	SEBP-SPIMX-1203	SEBP-SPIMX-1204
	135	SEBP-SPIMX-1351	SEBP-SPIMX-1352	SEBP-SPIMX-1353	SEBP-SPIMX-1354
	150	SEBP-SPIMX-1501	SEBP-SPIMX-1502	SEBP-SPIMX-1503	SEBP-SPIMX-1504
	165	SEBP-SPIMX-1651	SEBP-SPIMX-1652	SEBP-SPIMX-1653	SEBP-SPIMX-1654

Ordering Information

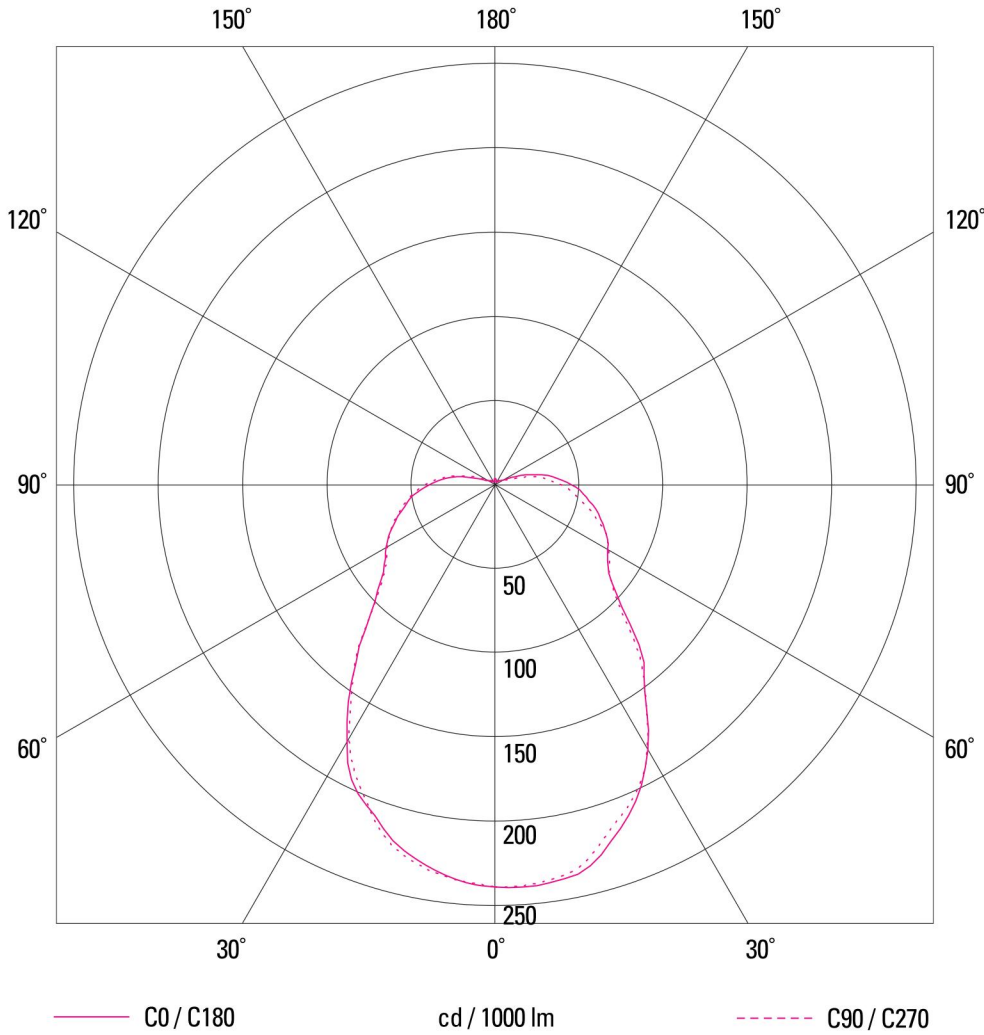
SEBP - SPI - MX - 100 - 1



* Entry Size : 1/2" / 3/4"

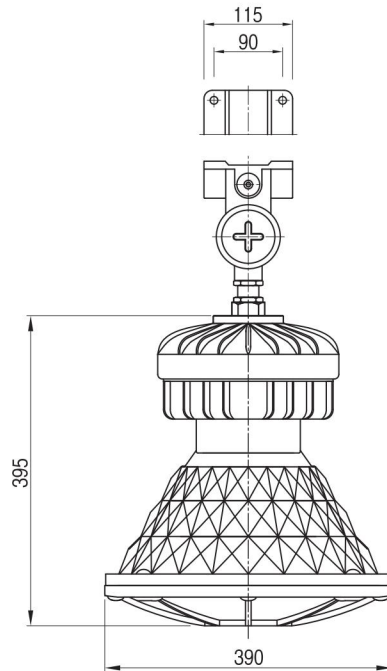
Photometric Data

SEBP-SPI-MX-150W

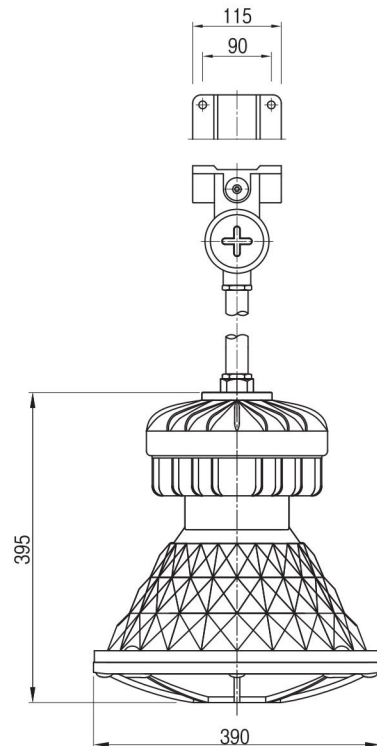


	C0	C90	C180
0°	239	239	239
10°	238	236	230
20°	217	212	209
30°	182	181	176
40°	138	134	126
50°	91	90	89
60°	77	78	75
70°	68	66	63
80°	57	51	52
90°	45	39	40
100°	32	26	27
110°	16	11	11
120°	6	5	5
130°	4	4	4
140°	3	3	3
150°	2	2	2
160°	2	2	2
170°	4	4	4
180°	4	4	4
	cd / 1000 lm		

Dimension

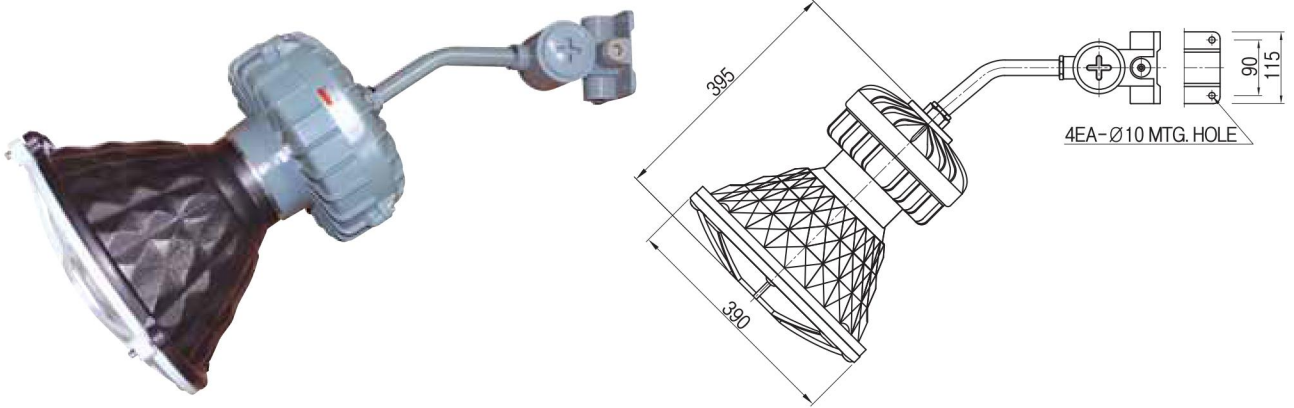


Ceiling Type

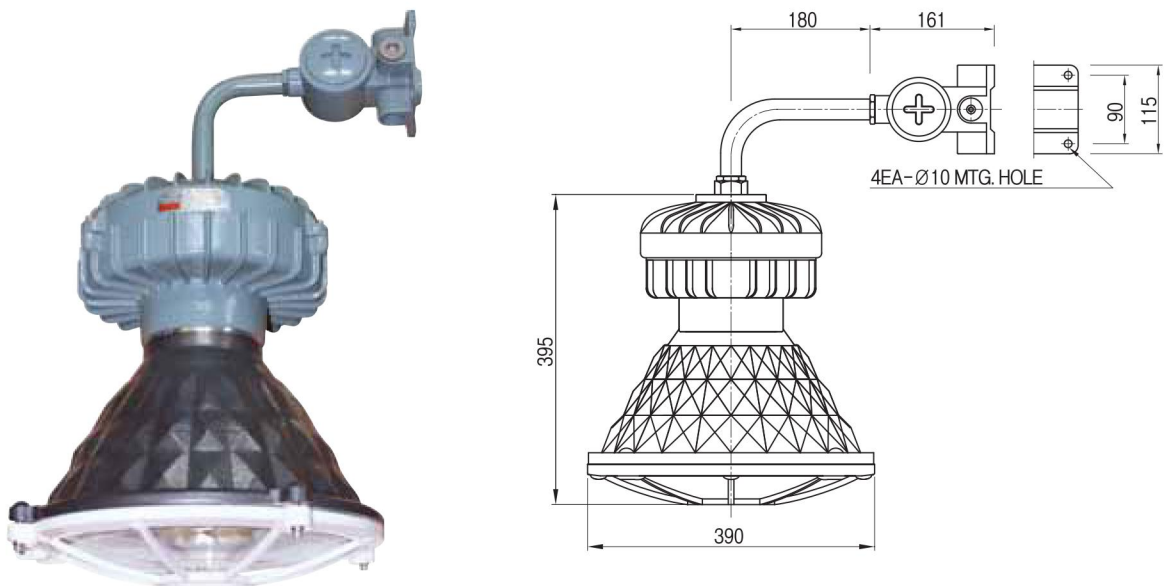


Pendant Type

Dimension



40. Bracke Type



90. Bracke Type