

SP SERIES

Type of Explosion-Proof
Non Sparking (Ex nR II T6 IP54)
Dust-ignition proof (Ex tD A22 T85°C IP54)



Standard Materials

- Enclosure : Aluminium sheet
- Globe : Heat resistant hard glass
- Globe Frame : Die casting aluminium alloy
- Mounting Box : Die casting aluminium alloy

Standard Finish

- MUNSSELL No. 7.5BG 6/1.5
- If you want another color, contact us please.

Compliance & Certification

- IEC 60079-0,15
- Notification of Ministry of Labor No. 2010-36
- Certified by KGS (Korea Gas Safety Corporation)

Application

SP Series lighting fixtured are used

- In heavy process industries having environments where flammable or explosive vapors or gases, or where combustible dusts are present.
- In paint spray booth suitability provides efficient, economical HID lighting for paint spray areas.
- In hazardous areas, both indoors and outdoors where long life and low maintenance costs are desired.
- Where ignitable concentrations of flammable gased, vapors or liquids can exist all of the time or some of the time under normal operation conditions.

Features

- The globe is sealed into the globe frame firmly with silicone rubber gasket, and the globe assembly is fitted to the body by three socket head capative screws.
- The body and ballast are constructed separately so as to protect the ballast from the heat of the lamp.

Technical Data

Electrical Ratings	
Rated Voltage	AC110V/220V/240V (*See Below)
Rated Wattage	IL100W,200W,300W / EL45W,55W,65W EL70W,75W,80W,100W
Rated Frequency	50Hz/60Hz
Entry Size	1/2", 3/4"

Weight

Miunting Type	Catalog No.	Weight
Ceiling Type	SEBP-SPLIL3001	5.5kg
Pendant Type	SEBP-SPEL752	5.6kg

Ordering Number

LAMP	Watt	Ceiling	Pendant	40° Bracket	90° Bracket
Incandescent Lamp	100	SEBP-SPIL-100-1	SEBP-SPIL-100-2	SEBP-SPIL-100-3	SEBP-SPIL-100-4
	200	SEBP-SPIL-100-1	SEBP-SPIL-200-2	SEBP-SPIL-200-3	SEBP-SPIL-200-4
	300	SEBP-SPIL-300-1	SEBP-SPIL-300-2	SEBP-SPIL-300-3	SEBP-SPIL-300-4
Comfact Fluorescent Lamp	45	SEBP-SPEL-45-1	SEBP-SPEL-45-2	SEBP-SPEL-45-3	SEBP-SPEL-45-4
	55	SEBP-SPEL-55-1	SEBP-SPEL-55-2	SEBP-SPEL-55-3	SEBP-SPEL-55-4
	65	SEBP-SPEL-75-1	SEBP-SPEL-75-2	SEBP-SPEL-75-3	SEBP-SPEL-65-4
	70	SEBP-SPEL-70-1	SEBP-SPEL-70-2	SEBP-SPEL-70-3	SEBP-SPEL-70-4
	75	SEBP-SPEL-75-1	SEBP-SPEL-75-2	SEBP-SPEL-75-3	SEBP-SPEL-75-4
	80	SEBP-SPEL-80-1	SEBP-SPEL-80-2	SEBP-SPEL-80-3	SEBP-SPEL-80-4
	100	SEBP-SPEL-100-1	SEBP-SPEL-100-2	SEBP-SPEL-100-3	SEBP-SPEL-100-4

Ordering Information

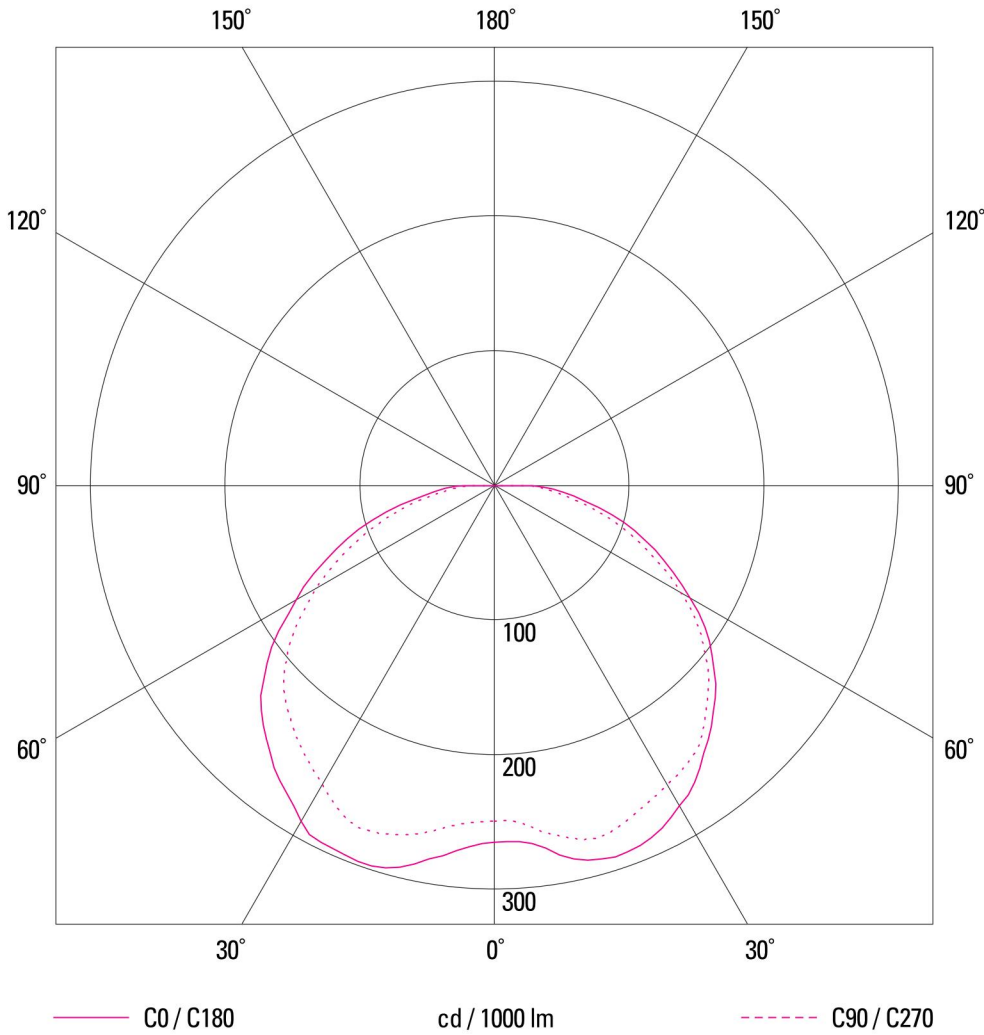
SEBP - SP - IL - 100 - 1



* Entry Size : 1/2" / 3/4"

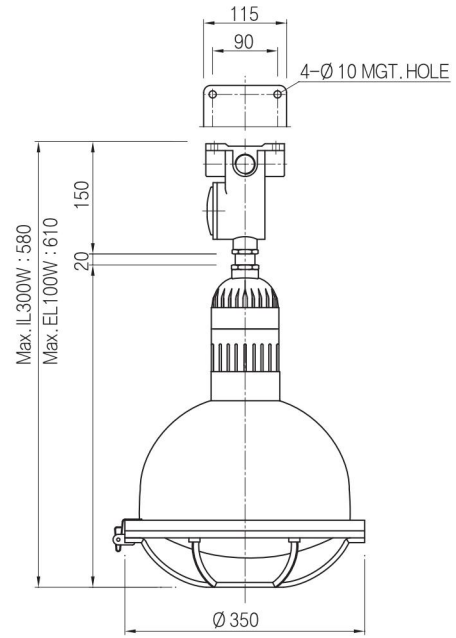
Photometric Data

SEBP-SP-EL-80W

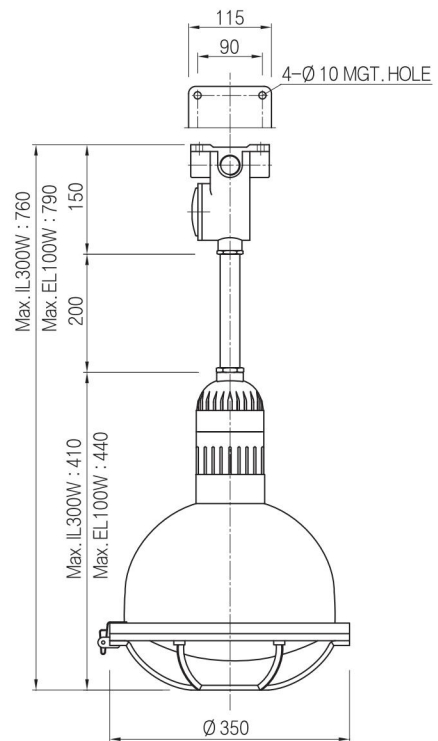


	C0	C90	C180
0°	265	249	265
5°	266	252	271
10°	279	264	282
15°	288	272	294
20°	289	270	297
25°	285	263	295
30°	275	256	288
35°	263	251	274
40°	246	240	259
45°	231	224	244
50°	213	206	224
55°	193	185	199
60°	168	160	170
65°	142	133	144
70°	119	107	116
75°	95	83	89
80°	68	59	62
85°	47	40	41
90°	28	25	23
	cd / 1000 lm		

Dimension

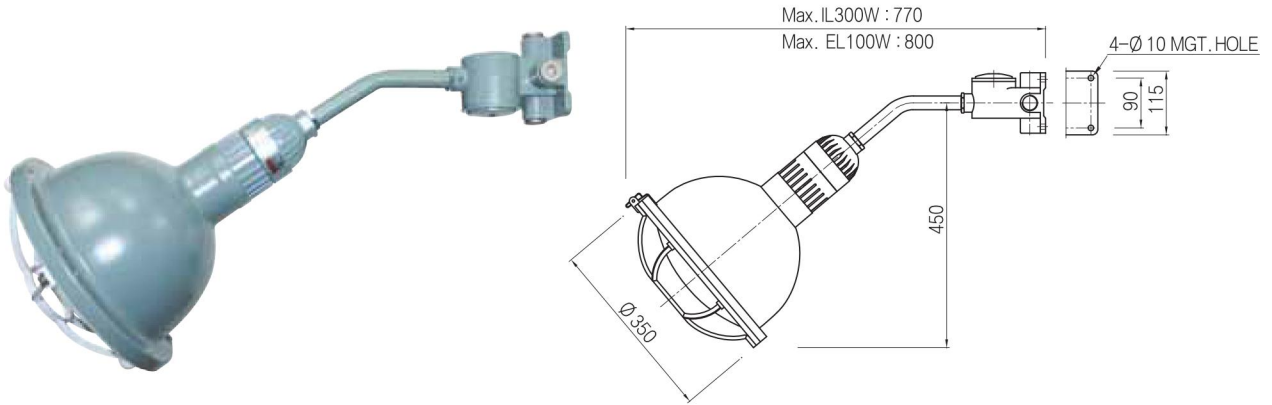


Ceiling Type

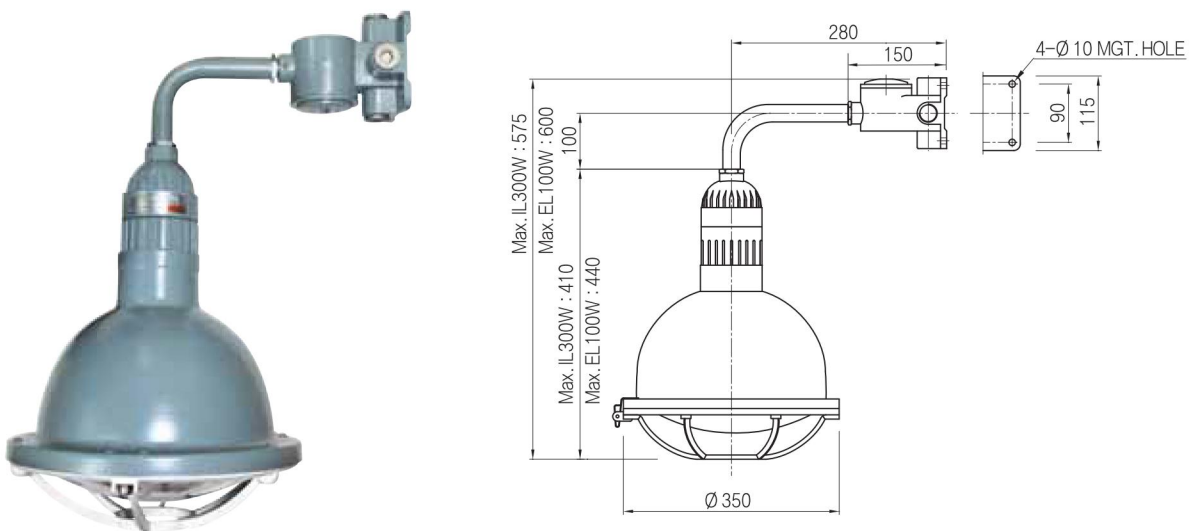


Pendant Type

Dimension



40. Bracket Type



90. Bracket Type