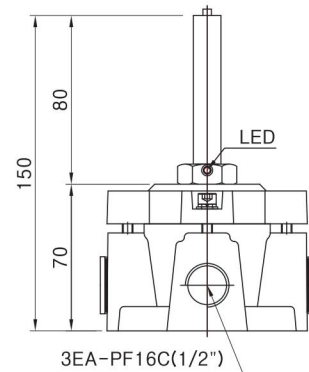
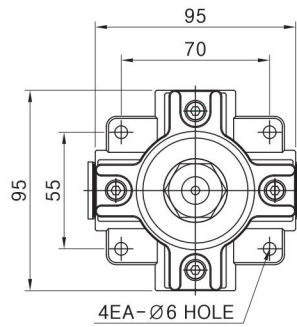


Fixed Temperature Spot Type Heat Detector

THD SERIES

Type of Explosion-Proof
Flameproof (Ex d IIB+H2 T5)



Standard Materials

- Body : Die casting aluminium alloy
- Cover : Die casting aluminium alloy
- Bolt & Washer : Stainless Steel

Compliance & Certification

- IEC 60079-0,1
- Notification of Ministry of Labor No.2010-36
- Certified by KOSHA
(Korea Occupational Safety & Health Agency)

Standard Finish

- MUNSELL No. 7.5BG 6/1.5
- If you want another color, contact us please.

Technical Data

- Rated Voltage : DC24V
- Lamp : LED
- Operating Temperature : 90°C