

Separated Ballast Type H.I.D Lighting Fixtures

VR SERIES

Degree of Protection : **Weather Proof-IP55**



Standard Materials

- Enclosure : Die casting aluminium alloy
- Mounting Box : Die casting aluminium alloy
- Ballast Box : Die casting aluminium alloy
- Globe : Heat resistant hard glass
- Reflector : High Purity aluminium
- Guard : Die casting aluminium alloy

Standard Finish

- MUNSELL No. 7.5BG 6/1.5
- If you want another color, contact us please.

Compliance

- KS C IEC 60529, KS C IEC 60598-1
- IP55

Application

VR Series lighting fixture are used

- In areas in which ignitable concentrations of flammable gases or vapors will be present only due to abnormal, unusual, or accidental conditions
- In marine applications where water spray and corrosive atmospheres are considerations
- In installations where moisture, dirt, dust, vibration, corrosion and rough usage are problems
- In elevated ambient temperatures often found in industrial applications
- Wherever the damaging effects of wind, snow, sleet, or hot sun are found.

Features

- EPDM rubber gasket is used between the body and globe, so that the lamp housing is sealed against vapors and dusts
- Relamp without tools : no need to remove accessories for relamping

Technical Data

Electrical Ratings	
Rated Voltage	AC110V/220V/240V (*See Below)
Rated Wattage	150W/175W/200W/250W
Rated Frequency	50Hz/60Hz
Entry Size	1/2", 3/4", 1"

Weight

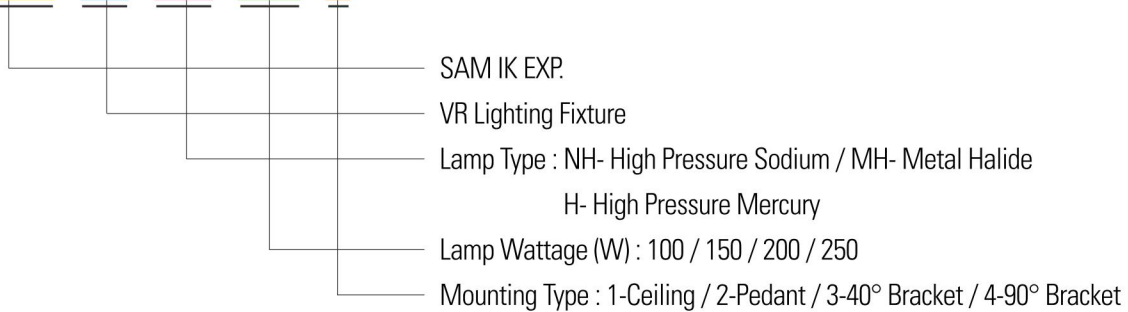
Mounting Type	Catalog No.	Weight
Ceiling Type	SEBP-VRMH	9.9kg
Pendant Type	SEBP-VRNH	10.4kg

Ordering Number

LAMP	Watt	Ceiling	Pendant	40° Bracket	90° Bracket
High Pressure Sodium	100	SEBP-VRNH-1001	SEBP-VRNH-1002	SEBP-VRNH-1003	SEBP-VRNH-1004
	150	SEBP-VRNH-1501	SEBP-VRNH-1502	SEBP-VRNH-1503	SEBP-VRNH-1504
	200	SEBP-VRNH-2001	SEBP-VRNH-2002	SEBP-VRNH-2003	SEBP-VRNH-2004
	250	SEBP-VRNH-2501	SEBP-VRNH-2502	SEBP-VRNH-2503	SEBP-VRNH-2504
Metal Halide	150	SEBP-VRMH-1501	SEBP-VRMH-1502	SEBP-VRMH-1503	SEBP-VRMH-1504
	175	SEBP-VRMH-1751	SEBP-VRMH-1752	SEBP-VRMH-1753	SEBP-VRMH-1754
	200	SEBP-VRMH-2001	SEBP-VRMH-2002	SEBP-VRMH-2003	SEBP-VRMH-2004
	250	SEBP-VRMH-2501	SEBP-VRMH-2502	SEBP-VRMH-2503	SEBP-VRMH-2504
High Pressure Mercury	100	SEBP-VRH-1001	SEBP-VRH-1002	SEBP-VRH-1003	SEBP-VRH-1004
	200	SEBP-VRH-2001	SEBP-VRH-2002	SEBP-VRH-2003	SEBP-VRH-2004
	250	SEBP-VRH-2501	SEBP-VRH-2502	SEBP-VRH-2503	SEBP-VRH-2504

Ordering Information

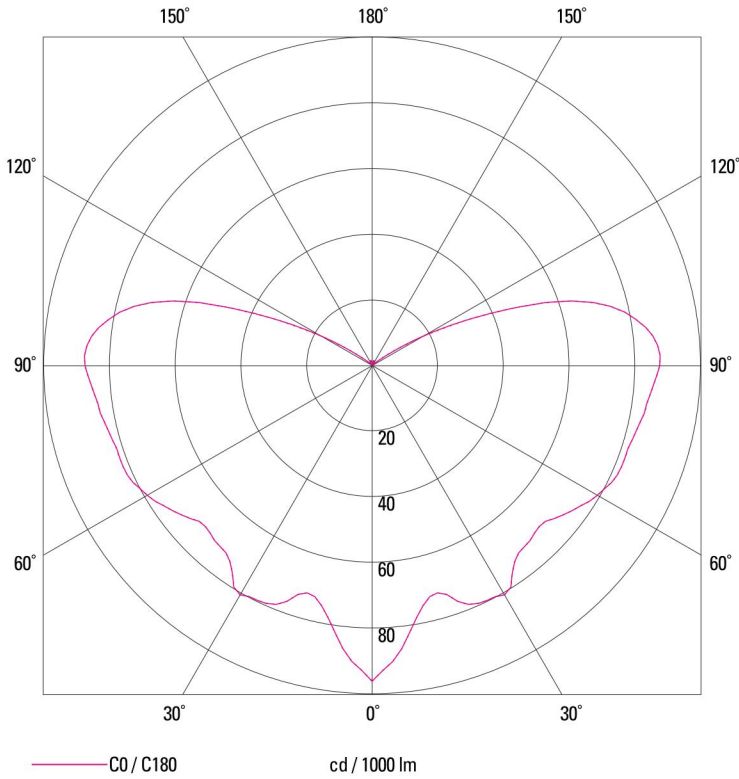
SEBP - VR - MH - 100 - 1



* Entry Size : 1/2" / 3/4" / 1"

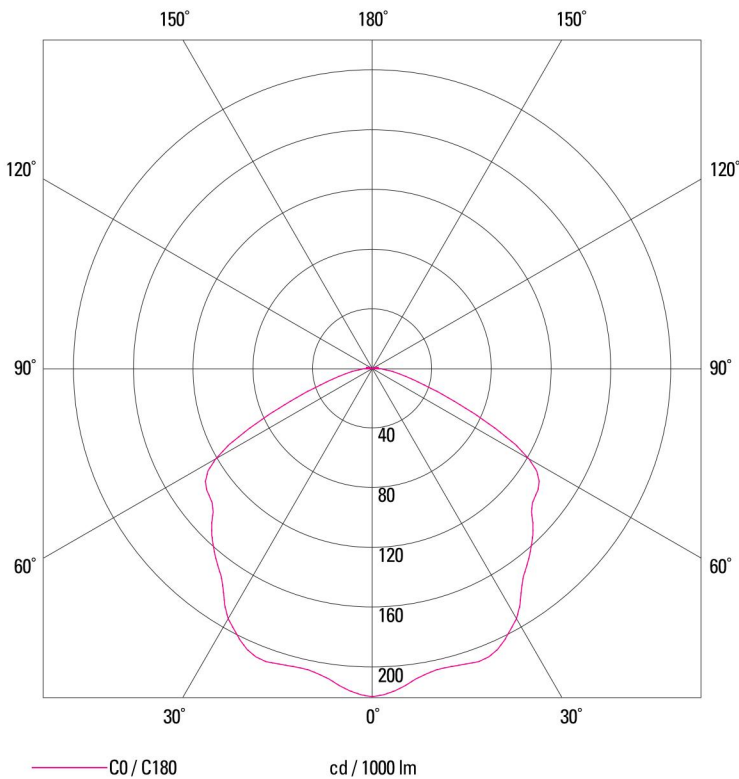
Photometric Data

SEBP-VR-MH175W



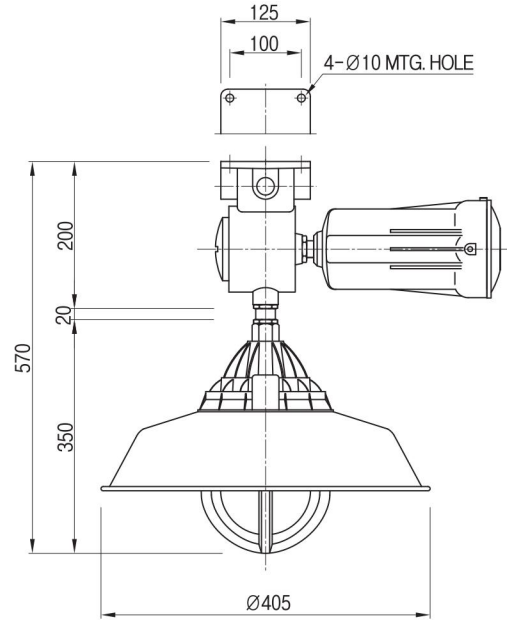
	C0	C90	C180
0°	96	96	96
10°	78	78	78
20°	76	76	76
30°	81	81	81
40°	72	72	72
50°	72	72	72
60°	79	79	79
70°	82	82	82
80°	84	84	84
90°	88	88	88
100°	81	81	81
110°	56	56	56
120°	18	18	18
130°	2	2	2
140°	1	1	1
150°	1	1	1
160°	2	2	2
170°	1	1	1
180°	0	0	0
	cd / 1000 lm		

SEBP-VR-MH175W WITH DOME REFLECTOR

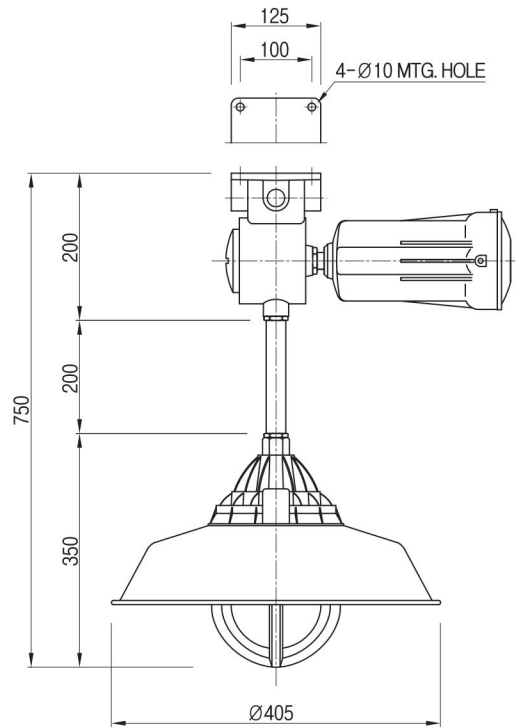


	C0	C90	C180
0°	220	220	220
10°	208	208	208
20°	209	209	209
30°	193	193	193
40°	164	164	164
50°	140	140	140
60°	121	121	121
70°	47	47	47
80°	15	15	15
90°	2	2	2
100°	4	4	4
110°	2	2	2
120°	0	0	0
130°	0	0	0
140°	0	0	0
150°	0	0	0
160°	0	0	0
170°	0	0	0
180°	0	0	0
	cd / 1000 lm		

Dimension

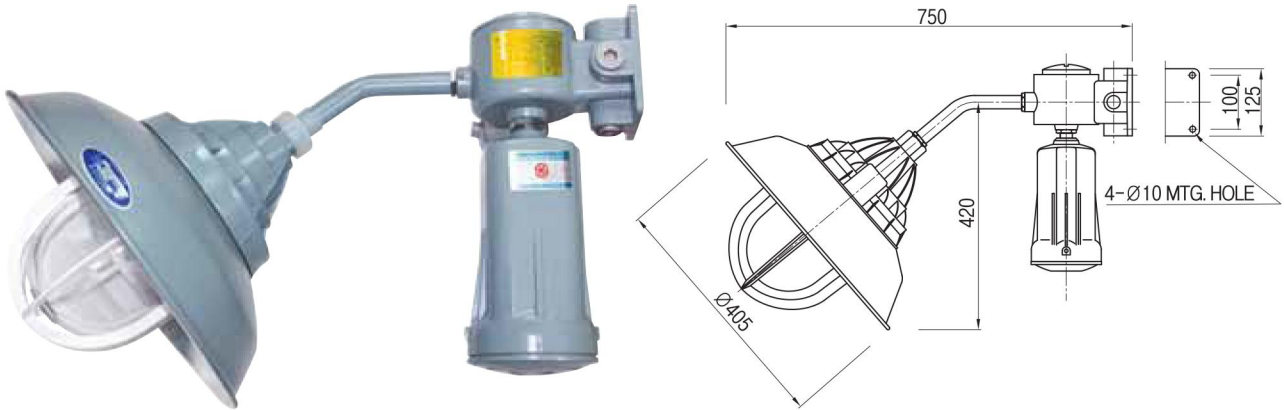


Ceiling Type

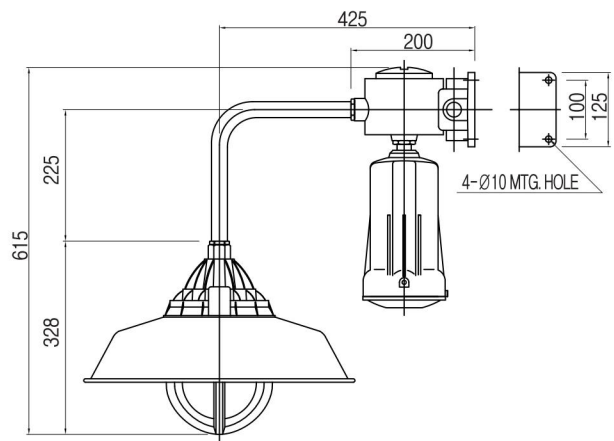


Pendant Type

Dimension



40. Bracket Type



90. Bracket Type