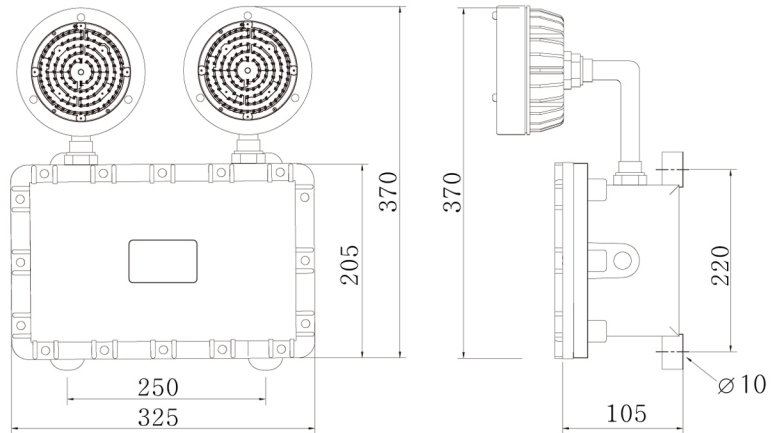
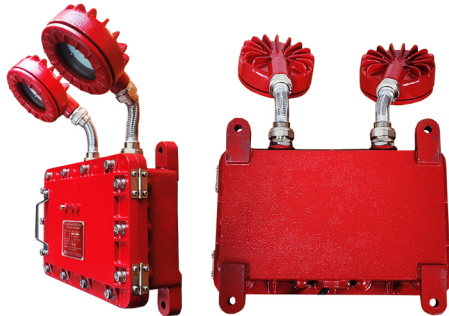
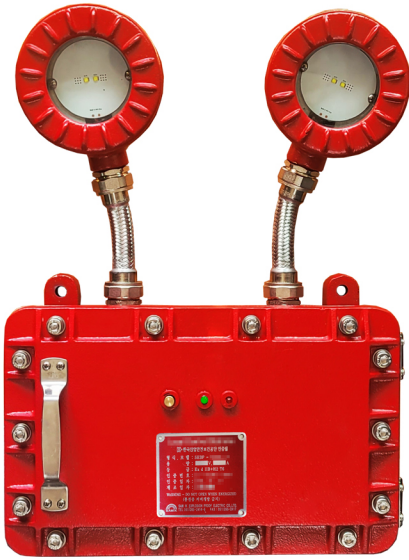


내압방폭 비상조명등

Type of Explosion-Proof
Flameproof (Ex d IIB+H2 T6)



Standard Materials

- Body : Cast aluminium alloy
- Cover : Cast aluminium alloy
- Bolt & Washer : Stainless Steel

Standard Finish

- MUNSSELL No. 7.5R 3/12
- If you want another color, contact us please.

Technical Data

- Rated Voltage : AC 220V
- Lamp : LED
- Effective lighting time : 60min

Compliance & Certification

- IEC 60079-0,1
- Notification of Ministry of Labor No.2010-36
- Certified by KGS
(Korea Gas Safety Corporation)