

Separated Converter Type LED Lighting Fixtures

# CELE SERIES

Type of Explosion-Proof  
**Flameproof (Ex d IIC T6 IP66)**  
**Dust-ignition proof (Ex tD A21 IP66 T85°C)**



## Standard Materials

- Enclosure : Die casting aluminium alloy
- Mounting Box : Die casting aluminium alloy
- SMPS Box : Die casting aluminium alloy
- Glass : Tempered glass

## Standard Finish

- MUNSELL No. 7.5BG 6/1.5
- If you want another color, contact us please.

## Compliance & Certification

- IEC 60079-0,1
- Notification of Ministry of Labor No. 2010-36
- Certified by KGS  
 (Korea Gas Safety Corporation)

## LED Benefits

### Enhance safety and productivity

- Instant illumination and re-strike
- Better visibility with crisp, white light
- T5 temperature rating – safely operate in the most hazardous environments
- Cold temperature operation / no warm-up required

### Reduce operation and maintenance costs

- Easy installation – compact modular fixture attaches onto existing Champ mounting module
- Energy-efficient – up to 85% reduction in energy used
- Provides up to 50,000 hours rated life – eliminates need for frequent lamp replacement
- Contains no mercury or other hazardous substances

## Application

### CELE Series lighting fixture are used

- Areas requiring frequent on-and-off of lights
- Two lumen outputs for replacement of existing HID and incandescent luminaires
- Where flammable vapors, gases, ignitable dusts, fibers or flyings are present, indoors or outdoors
- Where extremely corrosive, wet, dusty, hot and/or cold conditions exist
- Manufacturing plants; heavy industrial, chemical, petrochemical or pharmaceutical facilities, latforms, loading docks, tunnels, outdoor wall and stanchion mounted general area lighting

Technical Data

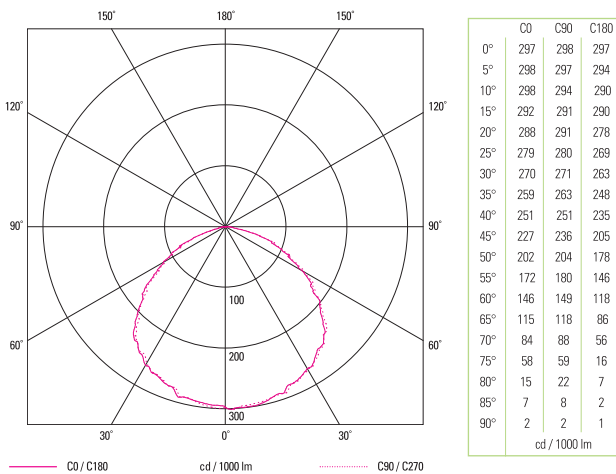
	Electrical Ratings
Rated Voltage	AC110V/220V
Rated Wattage	150W~250W
Rated Frequency	50Hz/60Hz
Entry Size	PF 3/4"

Ordering Number

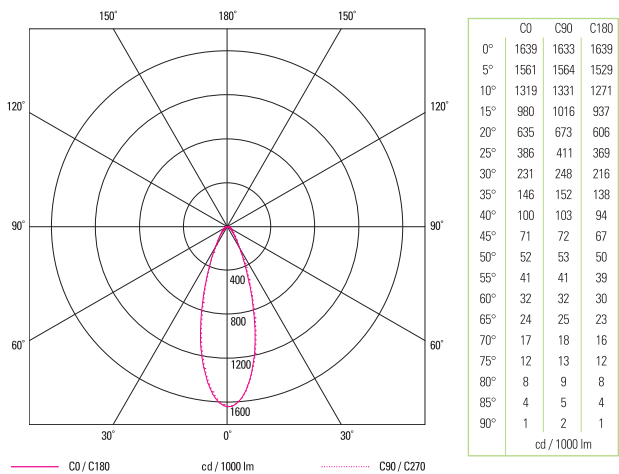
LAMP	Watt	Ceiling	Pendant	40° Bracket	90° Bracket
LED	150	SEBP-CELE-1501	SEBP-CELE-1502	SEBP-CELE-1503	SEBP-CELE-1504
	160	SEBP-CELE-1601	SEBP-CELE-1602	SEBP-CELE-1603	SEBP-CELE-1603
	170	SEBP-CELE-1701	SEBP-CELE-1702	SEBP-CELE-1703	SEBP-CELE-1703
	180	SEBP-CELE-1801	SEBP-CELE-1802	SEBP-CELE-1803	SEBP-CELE-1803
	190	SEBP-CELE-1901	SEBP-CELE-1902	SEBP-CELE-1903	SEBP-CELE-1903
	200	SEBP-CELE-2001	SEBP-CELE-2002	SEBP-CELE-2003	SEBP-CELE-2003
	210	SEBP-CELE-2101	SEBP-CELE-2102	SEBP-CELE-2103	SEBP-CELE-2103
	220	SEBP-CELE-2201	SEBP-CELE-2202	SEBP-CELE-2203	SEBP-CELE-2203
	230	SEBP-CELE-2301	SEBP-CELE-2302	SEBP-CELE-2303	SEBP-CELE-2303
	240	SEBP-CELE-2401	SEBP-CELE-2402	SEBP-CELE-2403	SEBP-CELE-2403
250	SEBP-CELE-2501	SEBP-CELE-2502	SEBP-CELE-2503	SEBP-CELE-2503	

Photometric Data

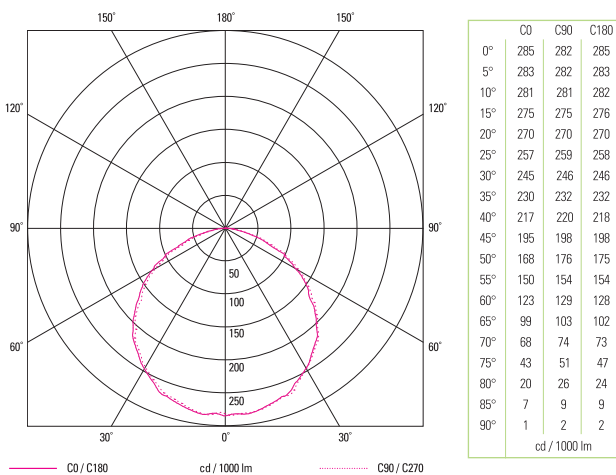
SEBP-CELE-LED150W GLOBE AND GUARD



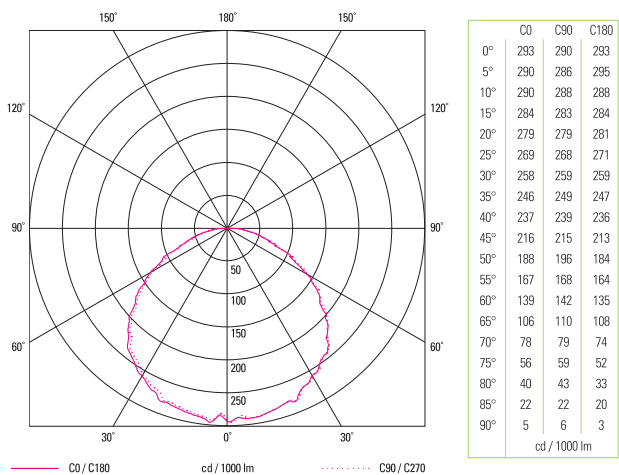
SEBP-CELE-LED150W GLOBE AND GUARD WITH 60° LENS



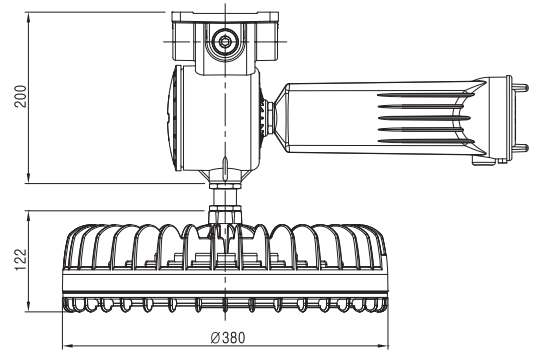
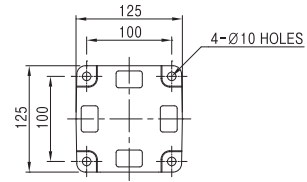
SEBP-CELE-LED200W GLOBE AND GUARD WITH 156° LENS



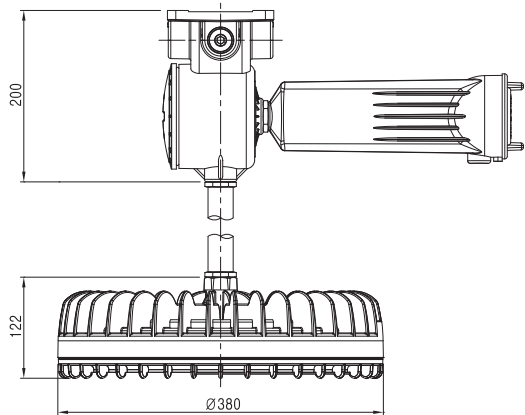
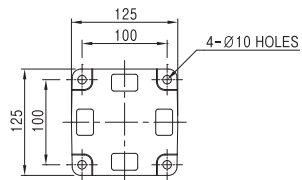
SEBP-CELE-LED250W GLOBE AND GUARD WITH 156° LENS



## Dimension

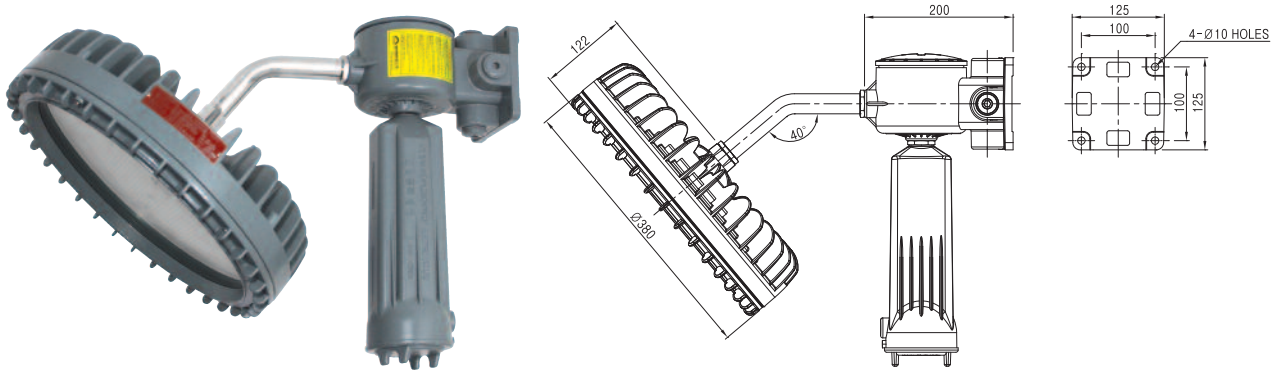


Ceiling Type

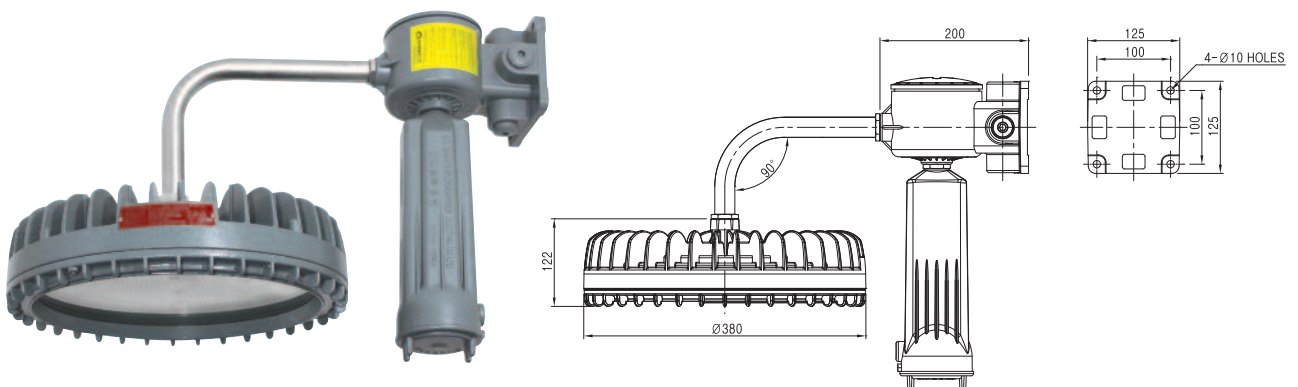


Pendant Type

## Dimension



40° Bracke Type



90° Bracke Type