

## Separated Converter Type LED Lighting Fixtures

## COLH-N SERIES

Type of Explosion-Proof  
**Non Sparking (Ex nA II T6 IP65)**  
**Dust-ignition proof (Ex tD A21 IP65 T85°C)**



### Standard Materials

- Enclosure : Cast aluminium alloy
- Mounting Box : Die casting aluminium alloy
- SMPS Box : Die casting aluminium alloy
- Glass : Heat resistant hard glass
- Guard : Die casting aluminium alloy

### Standard Finish

- MUNSELL No. 7.5BG 6/1.5
- If you want another color, contact us please.

### Compliance & Certification

- IEC 60079-0,15
- Notification of Ministry of Labor No. 2010-36
- Certified by KGS (Korea Gas Safety Corporation)

### LED Benefits

#### Enhance safety and productivity

- Instant illumination and re-strike
- Better visibility with crisp, white light
- T6 temperature rating – safely operate in the most hazardous environments
- Cold temperature operation / no warm-up required

#### Reduce operation and maintenance costs

- Easy installation – compact modular fixture attaches onto existing Champ mounting module
- Energy-efficient – up to 85% reduction in energy used
- Provides up to 50,000 hours rated life – eliminates need for frequent lamp replacement
- Contains no mercury or other hazardous substances

### Application

#### COLH-N Series lighting fixture are used

- Areas requiring frequent on-and-off of lights
- Two lumen outputs for replacement of existing HID and incandescent luminaires
- Where flammable vapors, gases, ignitable dusts, fibers or flyings are present; indoors or outdoors
- Where extremely corrosive, wet, dusty, hot and/or cold conditions exist
- Manufacturing plants; heavy industrial, chemical, petrochemical or pharmaceutical facilities; latforms; loading docks; tunnels; outdoor wall and stanchion mounted general area lighting

## Technical Data

Electrical Ratings	
Rated Voltage	AC110V/220V/240V (*See Below)
Rated Wattage	20W/30W/40W/50W
Rated Frequency	50Hz/60Hz
Entry Size	1/2", 3/4", 1"

## Weight

Mounting Type	Catalog No.	Weight
Ceiling Type	SEBP-COLH-N-LED401	5.5kg

## Ordering Number

LAMP	Watt	Ceiling	Pendant	40° Bracket	90° Bracket
LED	60	SEBP-COLH-N-LED-601	SEBP-COLH-N-LED-602	SEBP-COLH-N-LED-603	SEBP-COLH-N-LED-604
	70	SEBP-COLH-N-LED-701	SEBP-COLH-N-LED-702	SEBP-COLH-N-LED-703	SEBP-COLH-N-LED-704
	80	SEBP-COLH-N-LED-801	SEBP-COLH-N-LED-802	SEBP-COLH-N-LED-803	SEBP-COLH-N-LED-804
	90	SEBP-COLH-N-LED-901	SEBP-COLH-N-LED-902	SEBP-COLH-N-LED-903	SEBP-COLH-N-LED-904
	100	SEBP-COLH-N-LED-1001	SEBP-COLH-N-LED-1002	SEBP-COLH-N-LED-1003	SEBP-COLH-N-LED-1004
	110	SEBP-COLH-N-LED-1101	SEBP-COLH-N-LED-1102	SEBP-COLH-N-LED-1103	SEBP-COLH-N-LED-1104
	120	SEBP-COLH-N-LED-1201	SEBP-COLH-N-LED-1202	SEBP-COLH-N-LED-1203	SEBP-COLH-N-LED-1204
	130	SEBP-COLH-N-LED-1301	SEBP-COLH-N-LED-1302	SEBP-COLH-N-LED-1303	SEBP-COLH-N-LED-1304
	140	SEBP-COLH-N-LED-1401	SEBP-COLH-N-LED-1402	SEBP-COLH-N-LED-1403	SEBP-COLH-N-LED-1404
	150	SEBP-COLH-N-LED-1501	SEBP-COLH-N-LED-1502	SEBP-COLH-N-LED-1503	SEBP-COLH-N-LED-1504

## Ordering Information

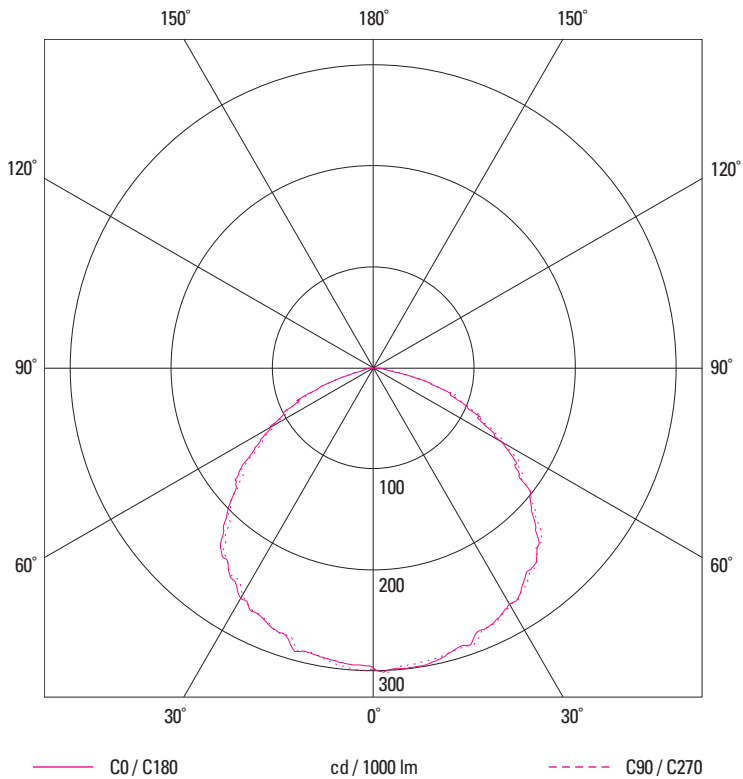
**SEBP - COLH-N - LED - 150 - 1**



\* Entry Size : 1/2" / 3/4" / 1"

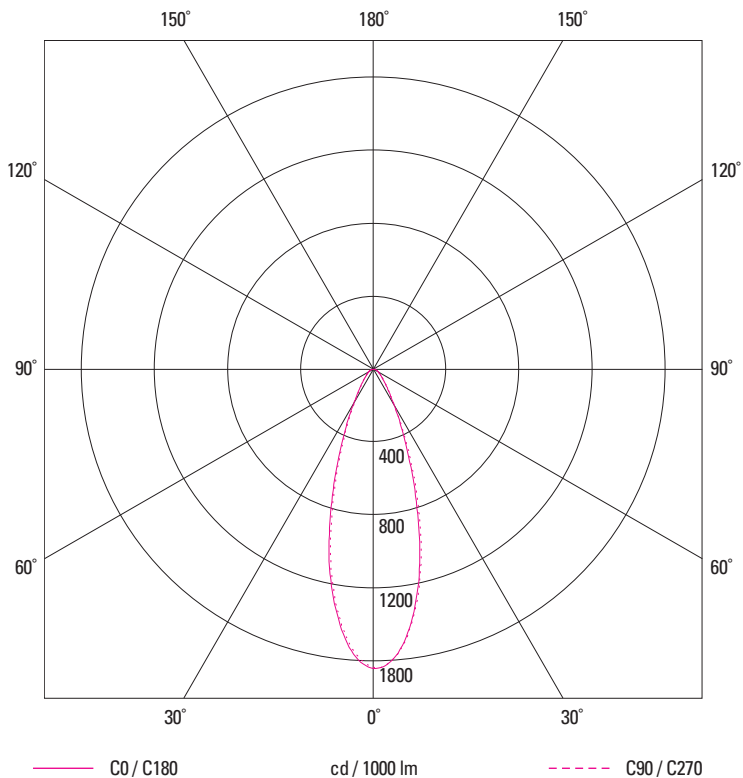
## Photometric Data

### SEBP-COLH-N-LED120W GLOBE AND GUARD



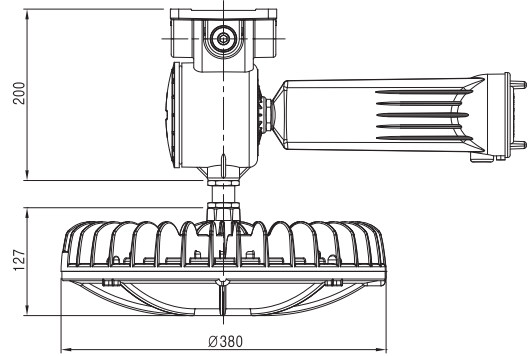
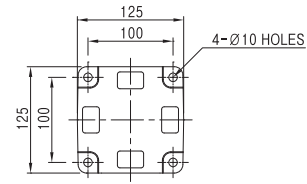
	C0	C90	C180
0°	297	298	297
5°	298	297	294
10°	298	294	290
15°	292	291	290
20°	288	291	278
25°	279	280	269
30°	270	271	263
35°	259	263	248
40°	251	251	235
45°	227	236	205
50°	202	204	178
55°	172	180	146
60°	146	149	118
65°	115	118	86
70°	84	88	56
75°	58	59	16
80°	15	22	7
85°	7	8	2
90°	2	2	1
	cd / 1000 lm		

### SEBP-COLH-N-LED120W GLOBE AND GUARD WITH 60° LENS

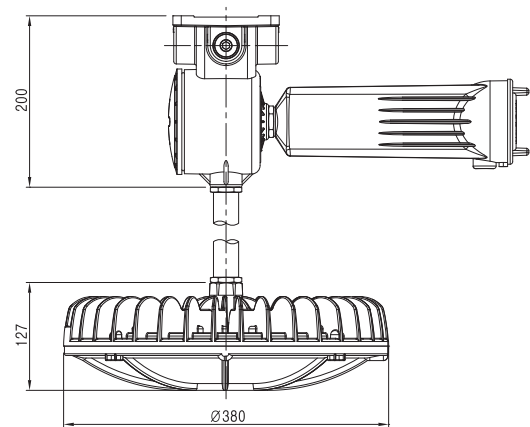
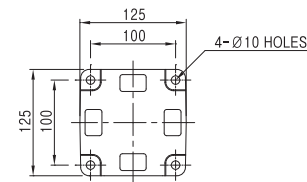


	C0	C90	C180
0°	1639	1633	1639
5°	1561	1564	1529
10°	1319	1331	1271
15°	980	1016	937
20°	635	673	606
25°	386	411	369
30°	231	248	216
35°	146	152	138
40°	100	103	94
45°	71	72	67
50°	52	53	50
55°	41	41	39
60°	32	32	30
65°	24	25	23
70°	17	18	16
75°	12	13	12
80°	8	9	8
85°	4	5	4
90°	1	2	1
	cd / 1000 lm		

## Dimension

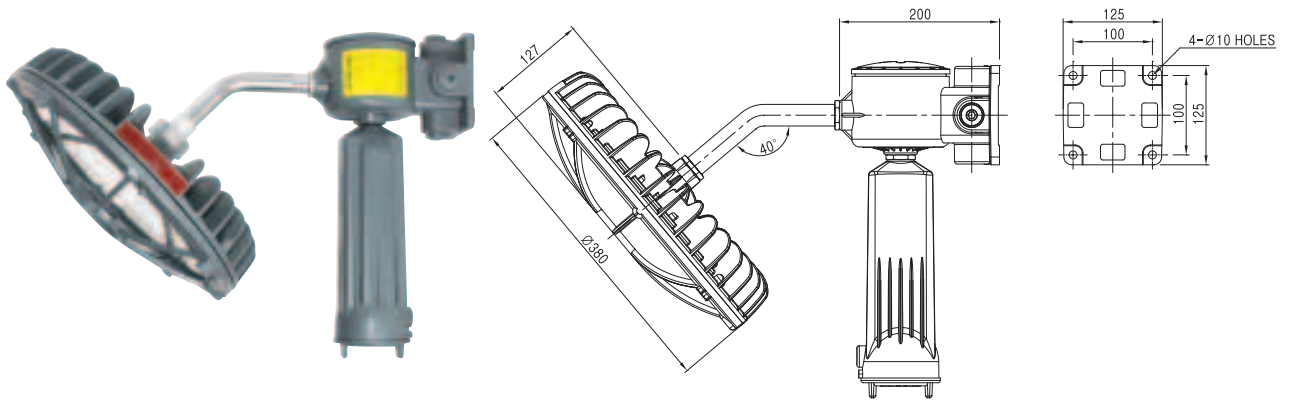


Ceiling Type

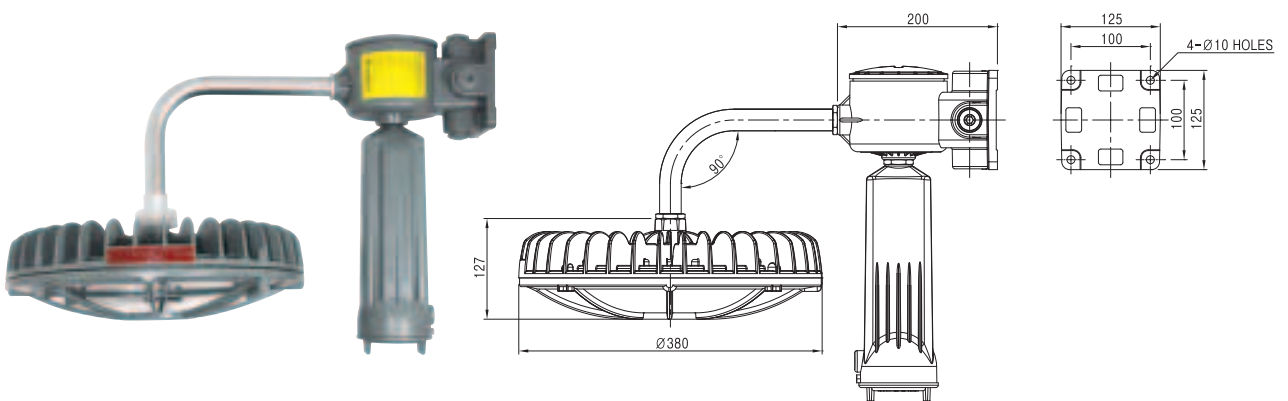


Pendant Type

## Dimension



40° Bracket Type



90° Bracket Type