

Integral Ballast Type H.I.D Lighting Fixtures

SG SERIES

Type of Explosion-proof
 Flameproof (Ex d IIC T3 IP66)
 Dust-ignition proof (Ex tD A21 T200°C IP66)



Standard Materials

- Enclosure : Die casting aluminium alloy
- Globe : Heat resistant hard glass
- Inner Reflector : High purity aluminium
- Guard : Stainless steel

Standard Finish

- MUNSELL No. 7.5BG 6/1.5
- If you want another color, contact us please.

Compliance & Certification

- IEC 60079-0,1
- Notification of Ministry of Labor No. 2010-36
- Certified by KOSHA
 (Korea Occupational Safety & Health Agency)

Application

SG Series lighting fixture are used

- In heavy process industries having environments where flammable or explosive vapors or gases, or where combustible dusts are present.
- In paint spray booth suitability provides efficient, economical HID lighting for paint spray areas.
- In hazardous areas, both indoors and outdoors where long life and low maintenance costs are desired.
- In hazardous locations requiring elevated ambient capability.
- In marine applications where water spray and corrosive atmospheres are considerations.

Features

- Internal ballast-separate ballast are not required. High power (90%) ballasts reduce power cost-allow more fixtures per circuit.
- Wide range of light sources to meet specific lighting needs High Pressure Sodium (NH): 150, 200, 250 and 400W, Mercury Vapour (H): 200, 250 And 400W, Metal Halide (MH): 175,250, and 400W.



Female (goes in body cover)

Male (goes in top of fixture body)

Technical Data

Electrical Ratings	
Rated Voltage	AC110V/220V/240V (*See Below)
Rated Wattage	150W/175W/200W/250W/350W/400W
Rated Frequency	50Hz/60Hz
Entry Size	1/2", 3/4"

Weight

Mounting Type	Catalog No.	Weight
Ceiling Type	SEBP-SG4001	17.5kg

Ordering Number

LAMP	Watt	Ceiling	Pendant	40° Bracket	90° Bracket
High Pressure Sodium	100	SEBP-SGNH-1001	SEBP-SGNH-1002	SEBP-SGNH-1003	SEBP-SGNH-1004
	150	SEBP-SGNH-1501	SEBP-SGNH-1502	SEBP-SGNH-1503	SEBP-SGNH-1504
	200	SEBP-SGNH-2001	SEBP-SGNH-2002	SEBP-SGNH-2003	SEBP-SGNH-2004
	250	SEBP-SGNH-2501	SEBP-SGNH-2502	SEBP-SGNH-2503	SEBP-SGNH-2504
	400	SEBP-SGNH-4001	SEBP-SGNH-4002	SEBP-SGNH-4003	SEBP-SGNH-4004
Metal Halide	150	SEBP-SGMH-1501	SEBP-SGMH-1502	SEBP-SGMH-1503	SEBP-SGMH-1504
	175	SEBP-SGMH-1751	SEBP-SGMH-1752	SEBP-SGMH-1753	SEBP-SGMH-1754
	200	SEBP-SGMH-2001	SEBP-SGMH-2002	SEBP-SGMH-2003	SEBP-SGMH-2004
	250	SEBP-SGMH-2501	SEBP-SGMH-2502	SEBP-SGMH-2503	SEBP-SGMH-2504
	350	SEBP-SGMH-3501	SEBP-SGMH-3502	SEBP-SGMH-3503	SEBP-SGMH-3504
	400	SEBP-SGMH-4001	SEBP-SGMH-4002	SEBP-SGMH-4003	SEBP-SGMH-4004
High Pressure Mercury	100	SEBP-SGH-1001	SEBP-SGH-1002	SEBP-SGH-1003	SEBP-SGH-1004
	200	SEBP-SGH-2001	SEBP-SGH-2002	SEBP-SGH-2003	SEBP-SGH-2004
	250	SEBP-SGH-2501	SEBP-SGH-2502	SEBP-SGH-2503	SEBP-SGH-2504
	400	SEBP-SGH-4001	SEBP-SGH-4002	SEBP-SGPH-4003	SEBP-SGH-4004

Ordering Information

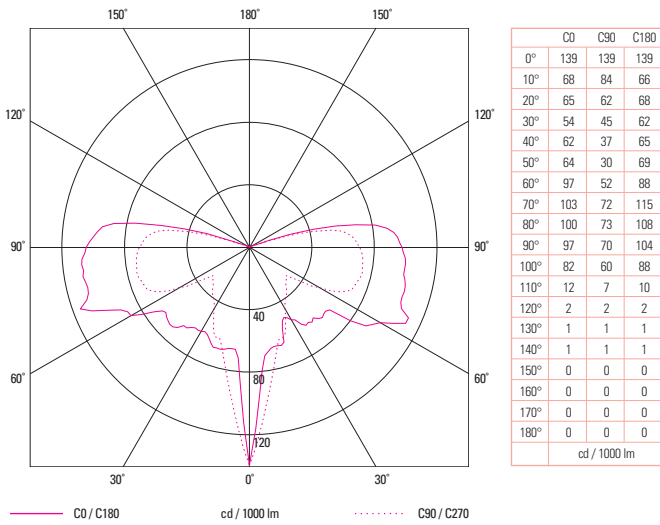
SEBP - SG - MH - 100 - 1



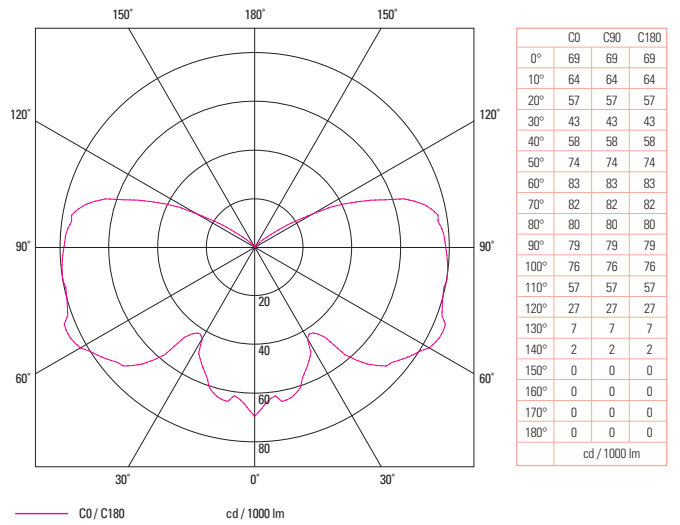
* Entry Size : 1/2" / 3/4"

Photometric Data

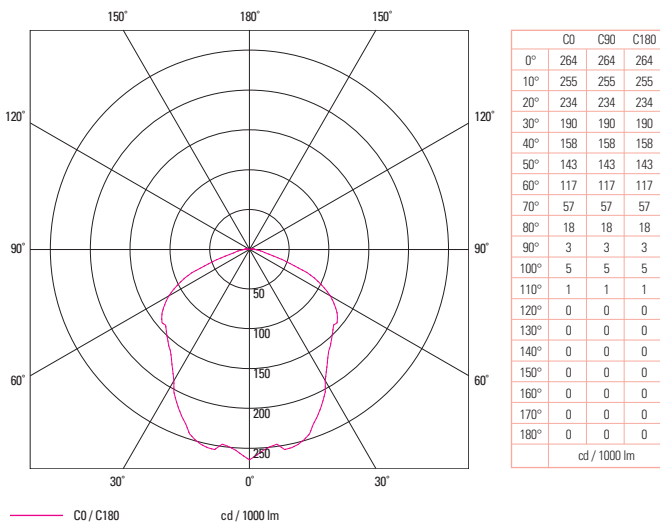
SEBP-SG-NH250W



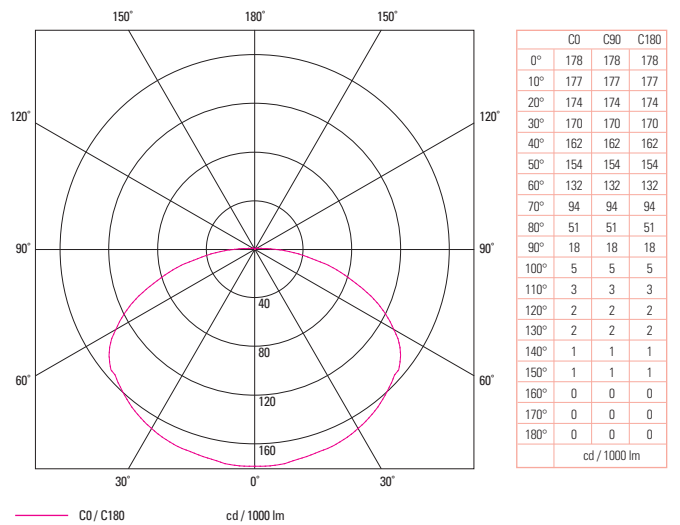
SEBP-SG-NH400W



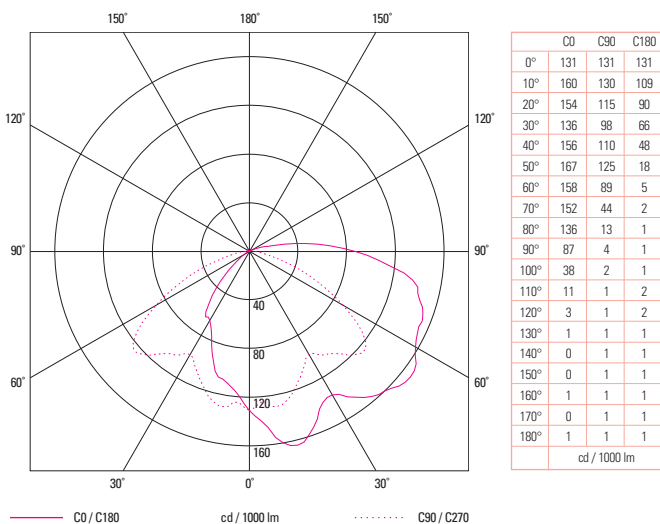
SEBP-SG-NH150W WITH DOME REFLECTOR



SEBP-SG-MH250W WITH DOME REFLECTOR



SEBP-SG-NH250W WITH ANGLE REFLECTOR



Reflector

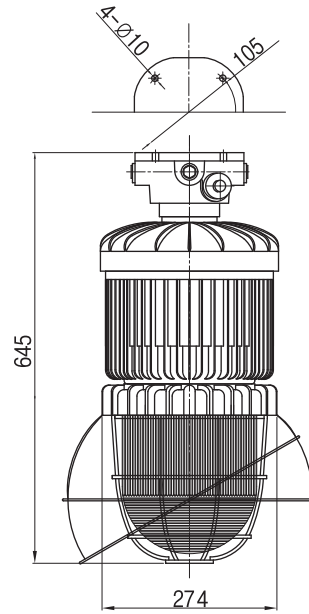


Standard Dome Reflector

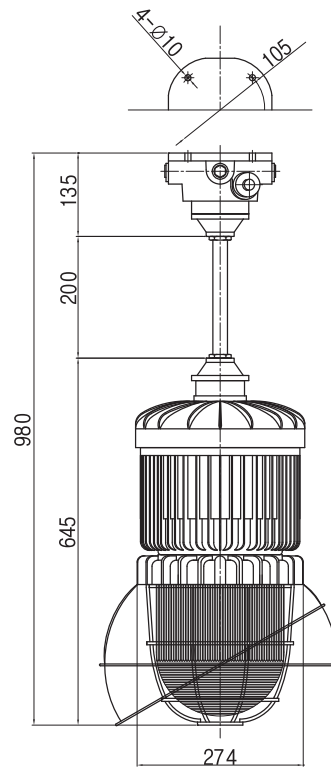


Angle Dome Reflector

Dimension

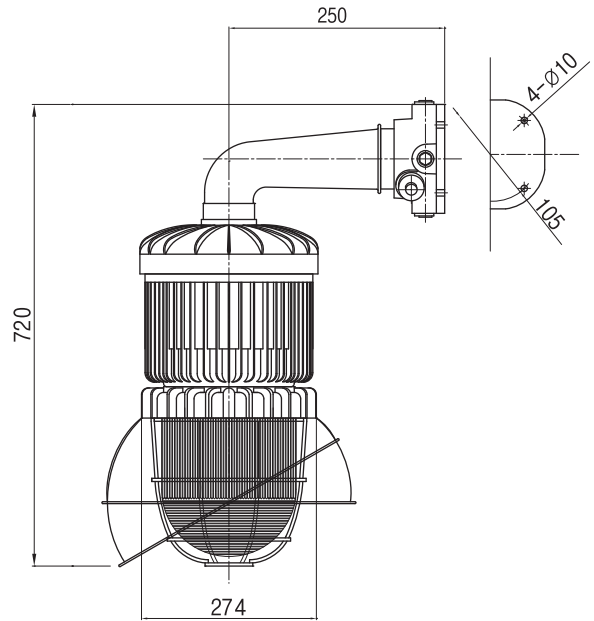


Ceiling Type

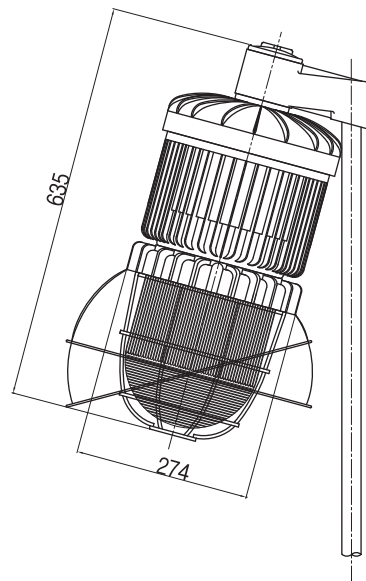


Pendant Type

Dimension



90° Bracket Type



Stanchion Pole Type