

Integral Converter Type LED Lighting Fixtures

CEL SERIES

Type of Explosion-Proof
Flameproof (Ex d IIC T6 IP66)
Dust-ignition proof (Ex tD A21 IP66 T85°C)



Standard Materials

- Enclosure : Die casting aluminium alloy
- Mounting Box : Die casting aluminium alloy
- Glass : Tempered glass



Standard Finish

- MUNSELL No. EX8816(NEW SILVER)
- If you want another color, contact us please.



Compliance & Certification

- IEC 60079-0,15
- Notification of Ministry of Labor No. 2010-36
- Certified by KOSHA
 (Korea Occupational Safety and Health Agency)



LED Benefits

Enhance safety and productivity

- Instant illumination and re-strike
- Better visibility with crisp, white light
- T6 temperature rating – safely operate in the most hazardous environments
- Cold temperature operation / no warm-up required

Reduce operation and maintenance costs

- Easy installation – compact modular fixture attaches onto existing Champ mounting module
- Energy-efficient – up to 85% reduction in energy used
- Provides up to 50,000 hours rated life – eliminates need for frequent lamp replacement
- Contains no mercury or other hazardous substances



Application

CEL Series lighting fixture are used

- Areas requiring frequent on-and-off of lights
- Two lumen outputs for replacement of existing HID and incandescent luminaires
- Where flammable vapors, gases, ignitable dusts, fibers or flyings are present, indoors or outdoors
- Where extremely corrosive, wet, dusty, hot and/or cold conditions exist
- Manufacturing plants; heavy industrial, chemical, petrochemical or pharmaceutical facilities, latforms, loading docks, tunnels, outdoor wall and stanchion mounted general area lighting

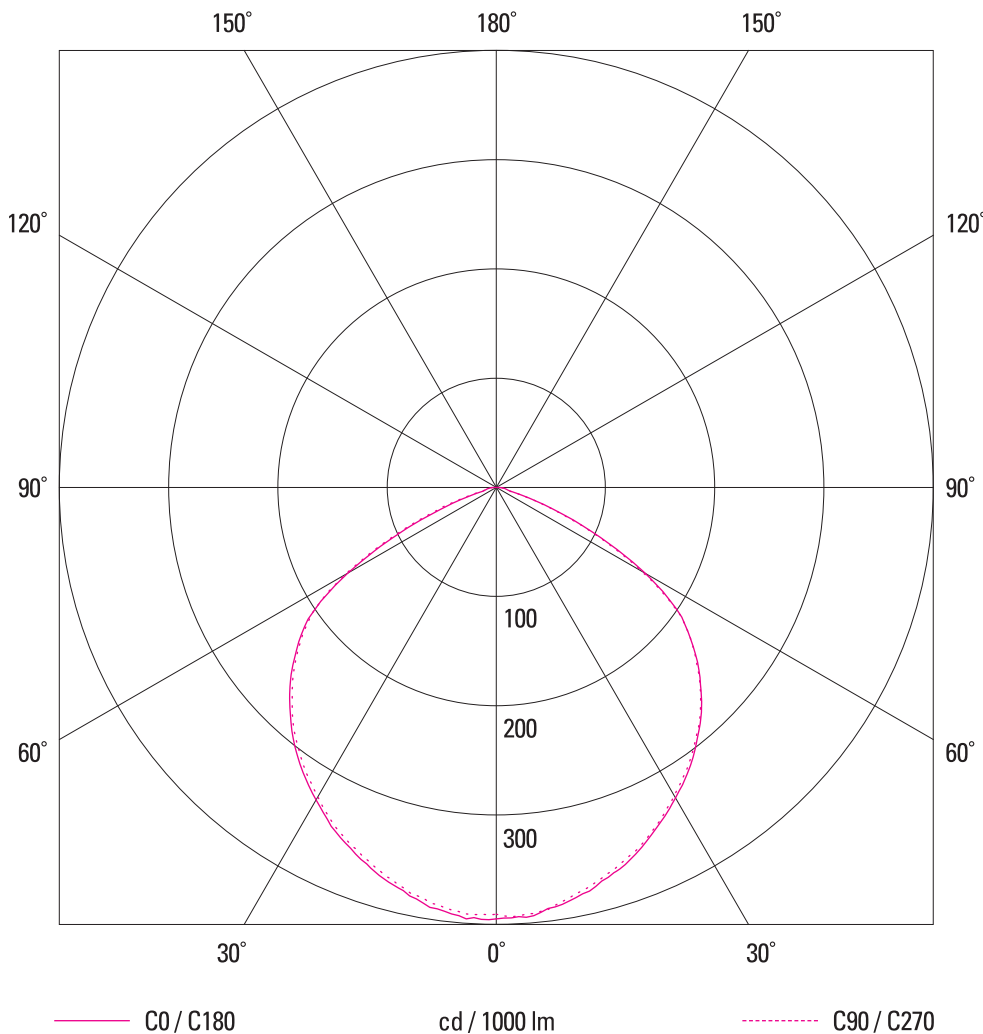
Technical Data

Electrical Ratings	
Rated Voltage	AC 110V/220V
Rated Wattage	60W~100W
Rated Frequency	50Hz/60Hz
Entry Size	PF 3/4"

Ordering Number

LAMP	Watt	Ceiling	Pendant	40° Bracket	90° Bracket
LED	60	SEBP-CEL-601	SEBP-CEL-602	SEBP-CEL-603	SEBP-CEL-604
	70	SEBP-CEL-701	SEBP-CEL-702	SEBP-CEL-703	SEBP-CEL-704
	80	SEBP-CEL-801	SEBP-CEL-802	SEBP-CEL-803	SEBP-CEL-804
	90	SEBP-CEL-901	SEBP-CEL-902	SEBP-CEL-903	SEBP-CEL-904
	100	SEBP-CEL-1001	SEBP-CEL-1002	SEBP-CEL-1003	SEBP-CEL-1004

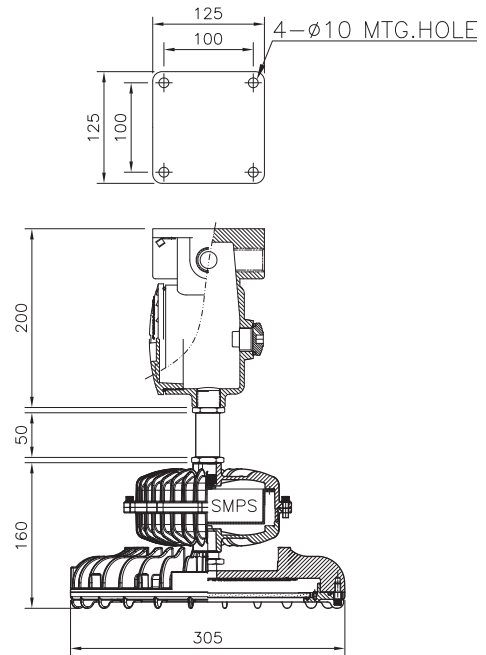
Photometric Data



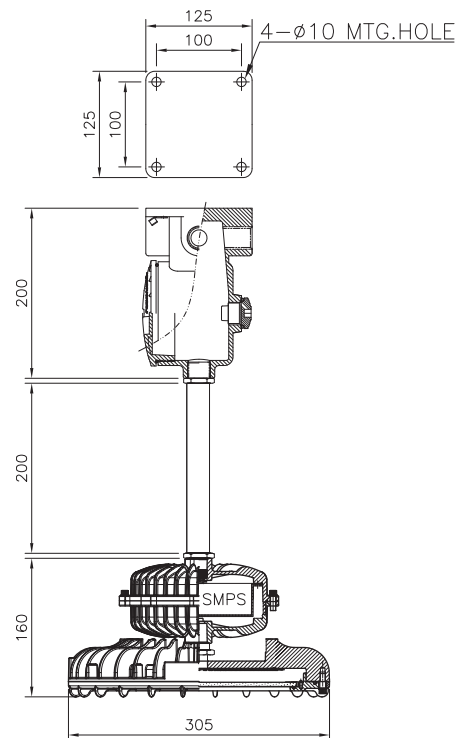
	C0	C90	C180
0°	395	391	395
5°	394	392	394
10°	385	382	386
15°	373	371	375
20°	362	358	362
25°	345	344	348
30°	328	326	330
35°	310	308	312
40°	289	288	291
45°	265	264	268
50°	238	238	241
55°	207	207	210
60°	158	154	157
65°	98	96	95
70°	47	45	43
75°	13	12	12
80°	9	9	9
85°	5	5	5
90°	2	2	1

cd / 1000 lm

Dimension

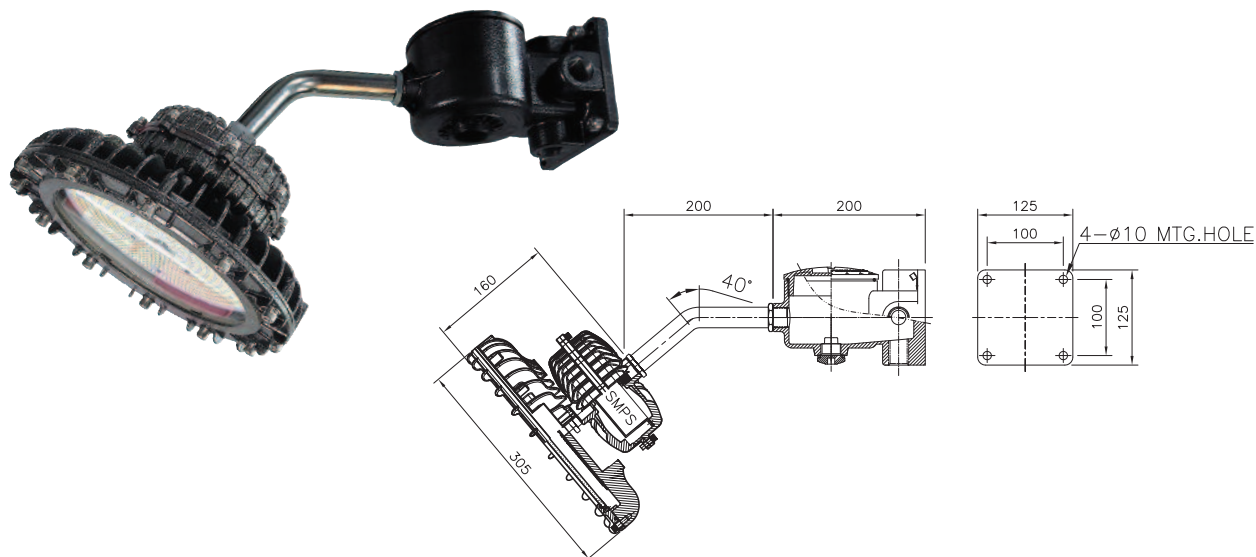


Ceiling Type

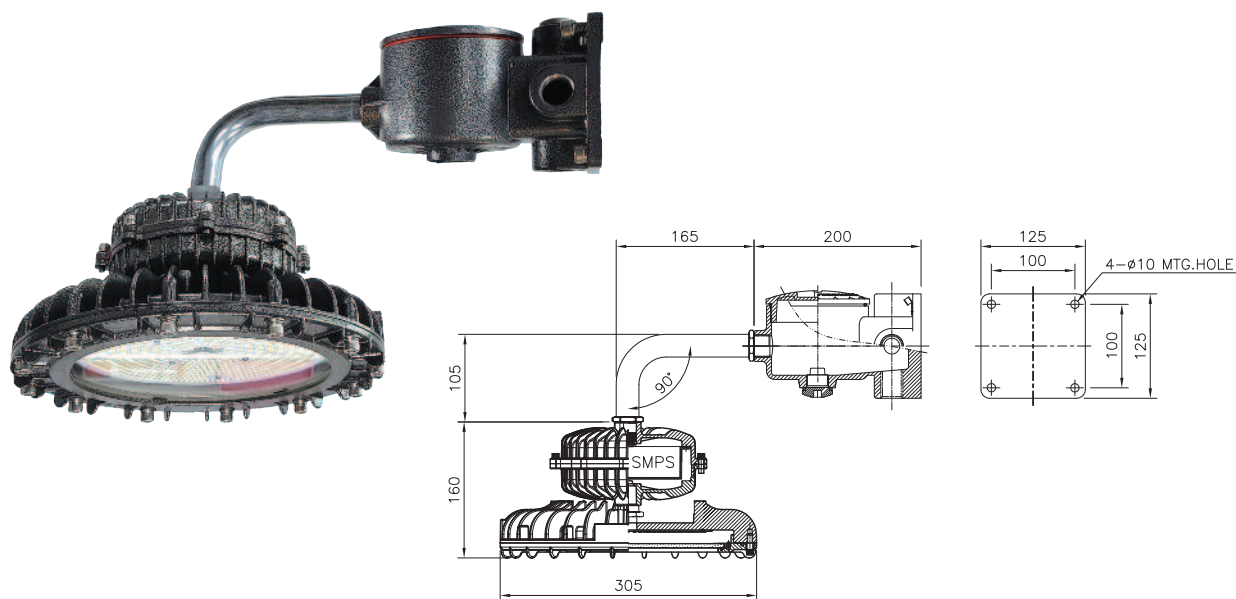


Pendant Type

Dimension



40° Bracket Type



90° Bracket Type