

Separated Converter Type LED Lighting Fixtures

EXWPL SERIES

Type of Explosion-Proof
Flameproof (Ex d IIC T6/T5 IP66)
Dust-ignition proof (Ex tD A21 IP66 T85°C/T100°C)



Standard Materials

- Enclosure : Die casting aluminium alloy
- Mounting Box : Die casting aluminium alloy
- Smps Box : Die casting aluminium alloy
- Glass : Tempered glass

Standard Finish

- MUNSELL No. EX8816(NEW SILVER)
- If you want another color, contact us please.

Compliance & Certification

- IEC 60079-0,15
- Notification of Ministry of Labor No. 2010-36
- Certified by KOSHA (Korea Occupational Safety and Health Agency)

LED Benefits

Enhance safety and productivity

- Instant illumination and re-strike
- Better visibility with crisp, white light
- T6 temperature rating – safely operate in the most hazardous environments
- Cold temperature operation / no warm-up required

Reduce operation and maintenance costs

- Easy installation – compact modular fixture attaches onto existing Champ mounting module
- Energy-efficient – up to 85% reduction in energy used
- Provides up to 50,000 hours rated life – eliminates need for frequent lamp replacement
- Contains no mercury or other hazardous substances

Application

EXWPL Series lighting fixture are used

- Areas requiring frequent on-and-off of lights
- Two lumen outputs for replacement of existing HID and incandescent luminaires
- Where flammable vapors, gases, ignitable dusts, fibers or flyings are present, indoors or outdoors
- Where extremely corrosive, wet, dusty, hot and/or cold conditions exist
- Manufacturing plants, heavy industrial, chemical, petrochemical or pharmaceutical facilities, latforms, loading docks, tunnels, outdoor wall and stanchion mounted general area lighting

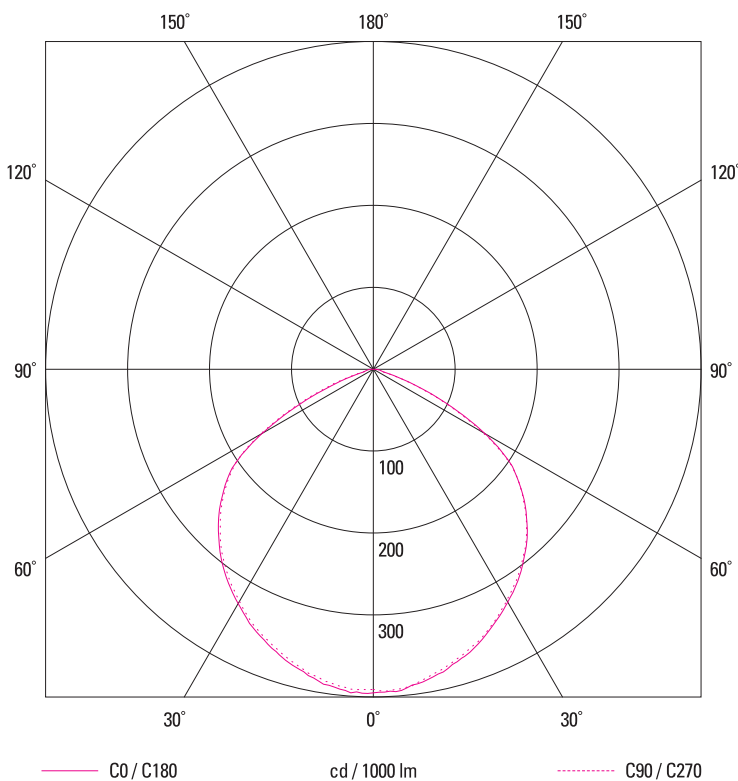
Technical Data

Electrical Ratings	
Rated Voltage	AC 110V/220V
Rated Wattage	60W~250W
Rated Frequency	50Hz/60Hz
Entry Size	PF 3/4"

Ordering Number

MODEL	Watt	Ceiling	Pendant	40° Bracket	90° Bracket
EXWPL-M (Ex d IIC T6/T5 IP66) (Ex tD A21 IP66 T85°C)	60	SEBP-EXWPL-M-601	SEBP-EXWPL-M-602	SEBP-EXWPL-M-603	SEBP-EXWPL-M-604
	70	SEBP-EXWPL-M-701	SEBP-EXWPL-M-702	SEBP-EXWPL-M-703	SEBP-EXWPL-M-704
	80	SEBP-EXWPL-M-801	SEBP-EXWPL-M-802	SEBP-EXWPL-M-803	SEBP-EXWPL-M-804
	90	SEBP-EXWPL-M-901	SEBP-EXWPL-M-902	SEBP-EXWPL-M-903	SEBP-EXWPL-M-904
EXWPL-M (Ex d IIC T6/T5 IP66) (Ex tD A21 IP66 T100°C)	100	SEBP-EXWPL-M-1001	SEBP-EXWPL-M-1002	SEBP-EXWPL-M-1003	SEBP-EXWPL-M-1004
	120	SEBP-EXWPL-M-1201	SEBP-EXWPL-M-1202	SEBP-EXWPL-M-1203	SEBP-EXWPL-M-1204
	150	SEBP-EXWPL-M-1501	SEBP-EXWPL-M-1502	SEBP-EXWPL-M-1503	SEBP-EXWPL-M-1504
EXWPL-L (Ex d IIC T6/T5 IP66) (Ex tD A21 IP66 T85°C)	120	SEBP-EXWPL-L-1201	SEBP-EXWPL-L-1202	SEBP-EXWPL-L-1203	SEBP-EXWPL-L-1204
	150	SEBP-EXWPL-L-1501	SEBP-EXWPL-L-1502	SEBP-EXWPL-L-1503	SEBP-EXWPL-L-1504
EXWPL-L (Ex d IIC T6/T5 IP66) (Ex tD A21 IP66 T100°C)	200	SEBP-EXWPL-L-2001	SEBP-EXWPL-L-2002	SEBP-EXWPL-L-2003	SEBP-EXWPL-L-2004
	250	SEBP-EXWPL-L-2501	SEBP-EXWPL-L-2502	SEBP-EXWPL-L-2503	SEBP-EXWPL-L-2504

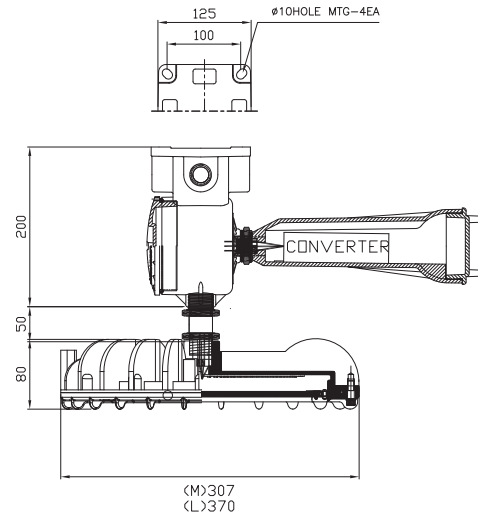
Photometric Data



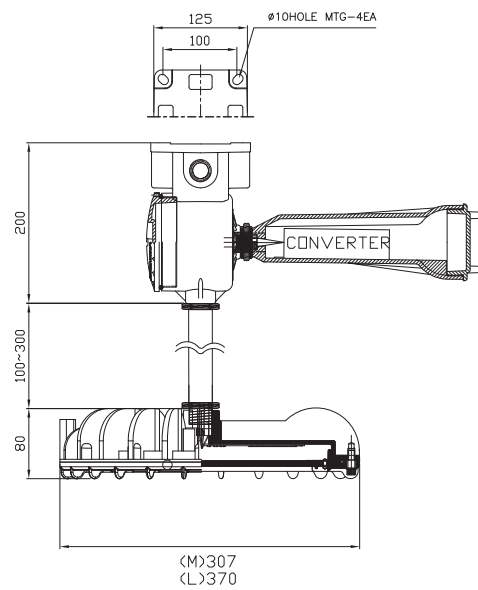
	C0	C90	C180
0°	392	392	392
5°	391	392	389
10°	386	387	381
15°	377	377	371
20°	366	365	358
25°	353	353	344
30°	337	336	325
35°	318	317	306
40°	298	297	284
45°	276	275	259
50°	250	249	227
55°	210	219	182
60°	159	169	126
65°	104	111	74
70°	53	59	29
75°	14	20	10
80°	9	9	7
85°	5	6	3
90°	1	1	0

cd / 1000 lm

Dimension

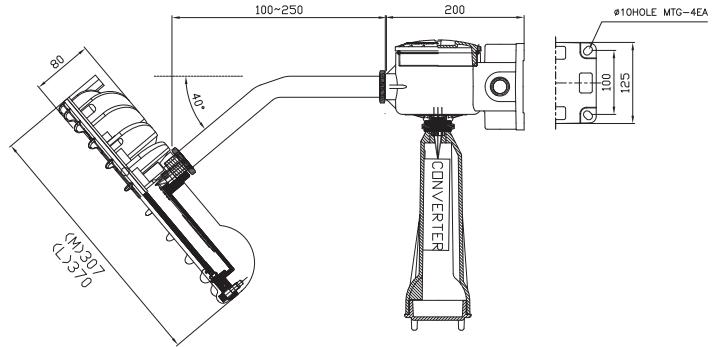


Ceiling Type

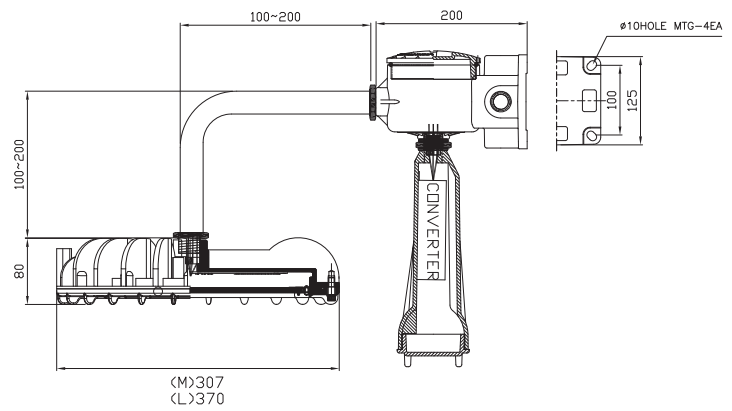


Pendant Type

Dimension



40° Bracket Type



90° Bracket Type